

721-GPS is a Low Profile External Active GPS Antenna. It's a High performance GPS antenna with a heavy-duty thread mount. It can be use for various location based services such as M2M, Remote monitoring, Timing for base stations and Vehicle fleet tracking. The body of the antenna is made of robust ABS to withstand stringent series of environmental tests including Salt Spray, UV Radiations, Shock and Vibration and meet IP67 specifications. These can be mounted on any surface and be delivered with customer specified connectors (SMA Standard) and cable lengths.

FEATURES:

- Two Stage 30 dB Gain
- Low Profile, discrete design
- Front end Saw Filter
- Durable ABS Body, Outdoor weather and UV resistant
- Applications include M2M, Remote monitoring, Timing for base stations and Vehicle fleet tracking.

ELECTRICAL SPECIFICATIONS:
Antenna

Center Frequency:	1575.42 ±1MHz
Band Width:	C _f ±5MHz
Polarization:	RHCP
Impedance:	50 Ohms
VSWR:	< 1.50
Gain:	5 dBi (Zenith)
Axial Ratio:	3 dB (Max)

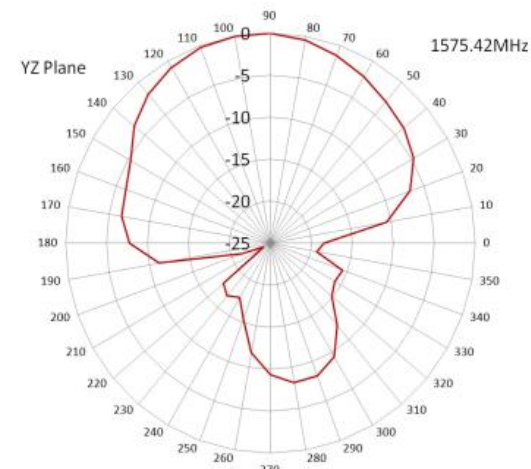
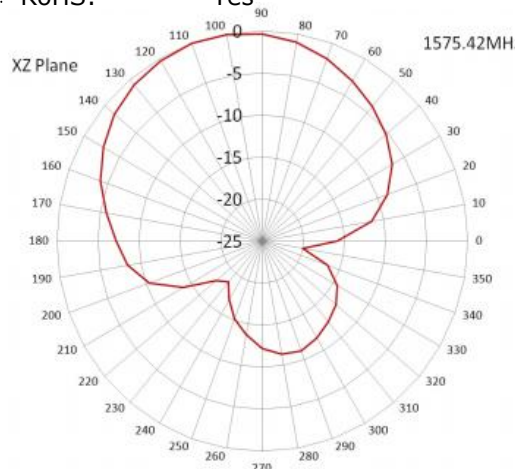
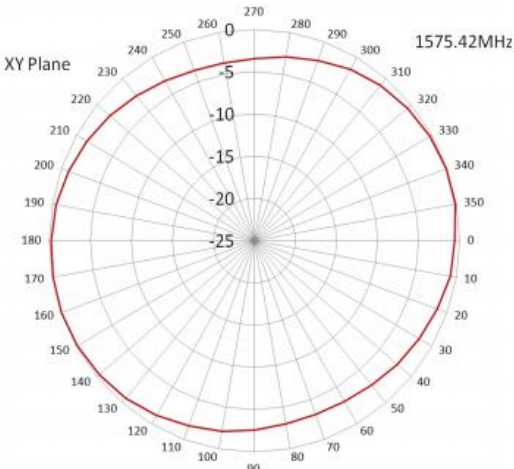
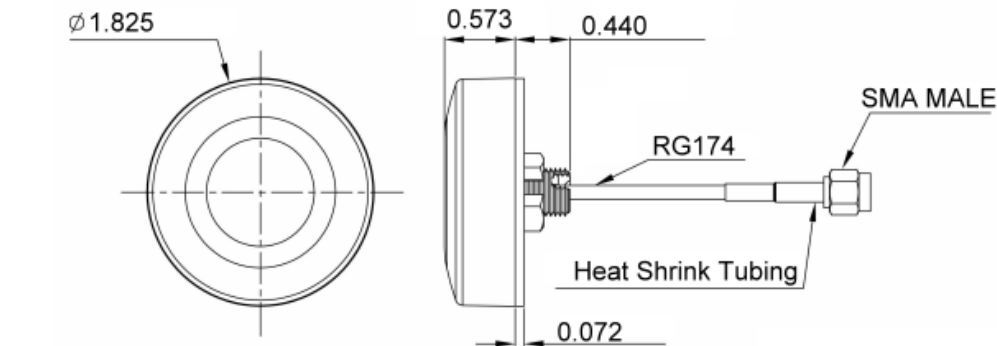
LNA

LNA Gain:	30 dB
Noise Figure:	< 1.5 dB
Filter Insertion Loss:	< 3 dB
Ex-band Attenuation:	20 dB @ C _f ±50MHz
Supply Voltage:	1.8 ~ 5.5 VDC
Current Consumption:	5 ~ 15 mA
VSWR:	< 2.00
Connectors:	SMA (Standard), TNC, Type-N
Cable:	RG174/RG58

MECHANICAL SPECIFICATIONS:

Radome Material: ABS
 Mounting Method: Screw & Washers
 Operating Temp: -40°C to 85°C
 Environmental: IP67, UL94-0

Humidity: Non condensing
 65°C 95% RH
 Vibration: 10 - 55 Hz with
 1.5mm Amplitude
 RoHS: Yes



Please contact our sales department at 914-230-4060 or sales@innowaverf.com for any custom requirements.

© InnowaveRF, LLC. All Rights Reserved. Specs can change without notice. Drawings are for reference purpose only.