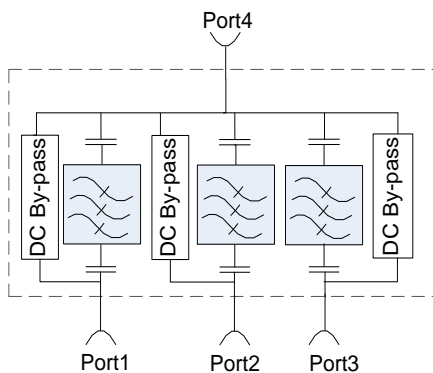


FEATURES:

- Splits or combines the **PCS Band** (1850MHz-2000MHz), **AWS-1 & AWS-3 Bands** (1695MHz-1780MHz & 2110MHz-2180MHz) and **WCS, BRS/2600MHz LTE Bands** (2300MHz-2690MHz)
- Excellent Isolation between the bands
- Very low Insertion Loss with superior out of band rejections
- Available in DIN, Mini-DIN, 4.3-10 or Type-N Connectors
- Low-PIM with High Power Handling
- Ease of Mounting with mounting holes and brackets
- RoHS Complaint
- Weatherproof for Outdoor use
- In Stock and Available Immediately



ELECTRICAL SPECIFICATIONS:

Frequency Bands	PCS 1850MHz - 2000MHz	AWS-1 & AWS-3 1695MHz - 1780MHz 2110MHz - 2180MHz	WCS, BRS/2600MHz LTE 2300MHz - 2690MHz
Passband Insertion Loss	0.25 dB		
Isolation	≥ 65 dB		
Return Loss	21 dB		
Impedance	50 Ohms		
Input Power	400 Watts (Avg); 3000 Watts (Peak)		
Intermodulation (PIM - 3 rd)	-161dBc (2 Tones +43 dBm)		
DC Pass Current	3000mA (Typ)		
Lightning Protection	8/20S 10kA Pulse (IEC 801-5)		
MTBF Hours	≥ 500,000		

MECHANICAL SPECIFICATIONS:

- Connectors: Type-N (N) / DIN (D) / Mini-DIN (MD) / 4.3-10 (D43)
- Housing Finish: Aluminum Body
- Mounting Method: Mounting Holes
- Temperature Range: -30°C to 60°C
- Humidity: 5% – 95%
- Environment: IP67

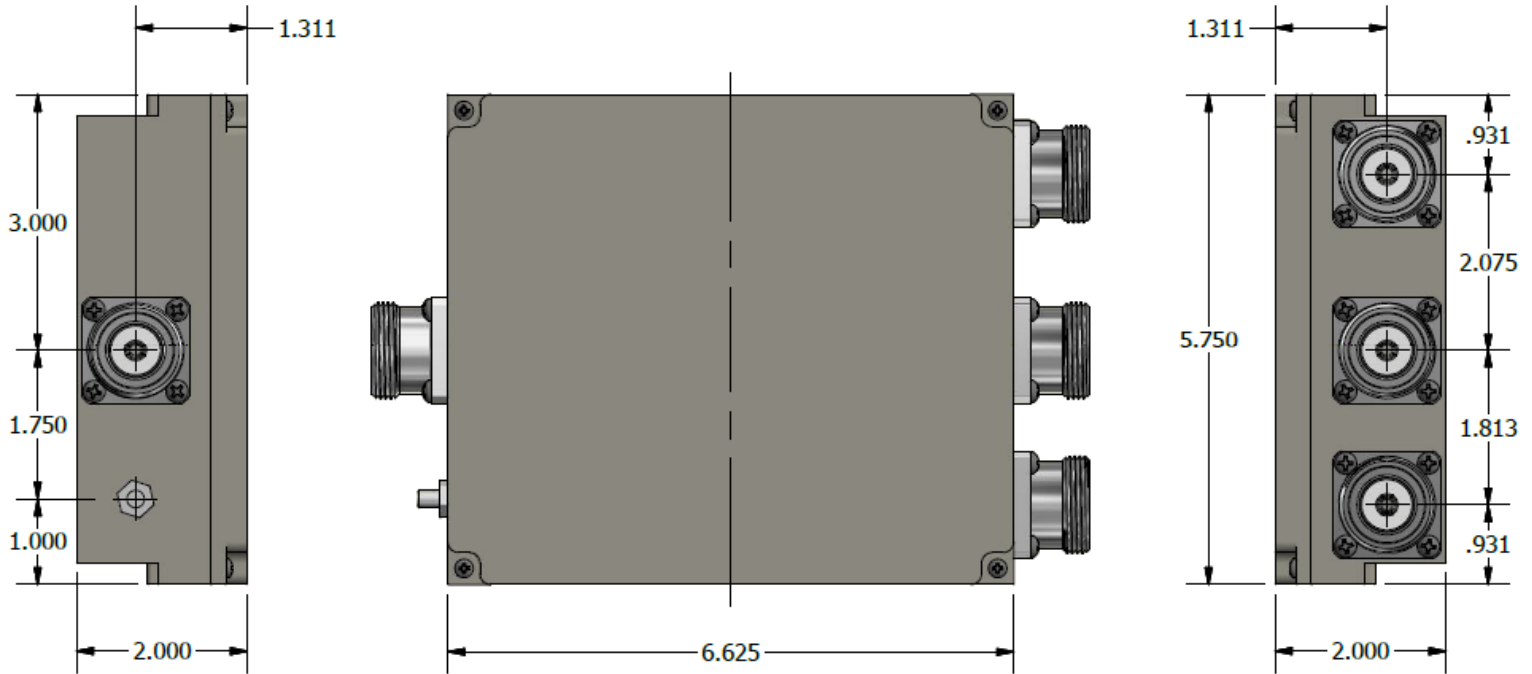
***** ORDERING INFO:**

Single Model: Part#: 931-1800-2490-*

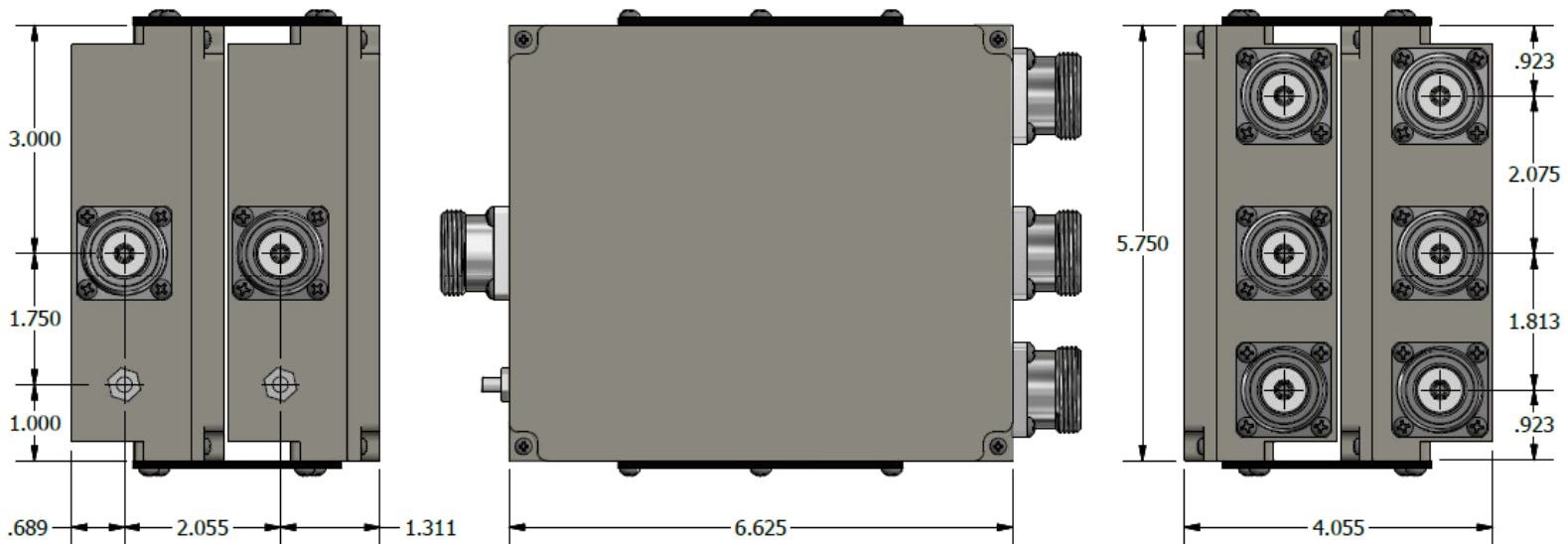
Dual Model: Part#: 932-1800-2490-*

* - Connector Option

Dimensions for 931-1800-2490-D



Dimensions for 932-1800-2490-D



Please contact our sales department at 737-200-7090 or sales@InnowaveRF.com for any custom requirements.
 © Innowave RF, LLC. All Rights Reserved. Specs can change without notice. Drawings are for reference purpose only.