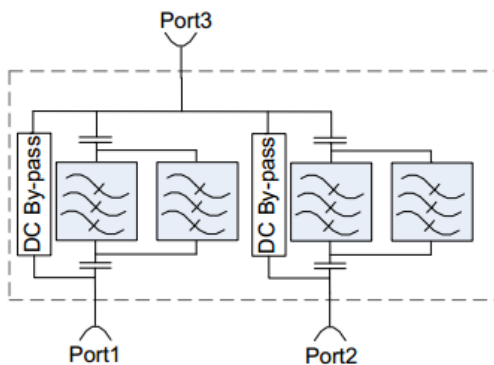


FEATURES:

- Splits or combines any two 20MHz blocks in the **AWS-1 & AWS-3 Bands** separated by 15MHz Guard Band
- Uplink Freq (1720-1740 & 2120-2140) / Downlink Freq (1755-1770 & 2155-2170)
- Best-in-class Isolation between the 2 signals
- Very low Insertion Loss with superior out of band rejections
- Available in Type-N, 7/16 DIN, Mini-DIN and 4.3-10 Connectors
- Low-PIM with High Power Handling
- -161dBc PIM and DC By-Pass
- Weatherproof / Outdoor unit
- RoHS Compliant

Block Diagram for 922A-1732-2132

ELECTRICAL SPECIFICATIONS:

Frequency Bands	Downlink Freq (Port 1 & 3)	Uplink Freq (Port 2 & 4)
	1755-1770 MHz & 2155-2170 MHz	1720-1740 MHz & 2120-2140 MHz
Passband Insertion Loss	0.30 dB	
Isolation	≥ 30dB @ 1720-1740 MHz & 2120-2140 MHz	≥ 30dB @ 1755-1770 MHz & 2155-2170 MHz
Return Loss	20 dB	
Impedance	50 Ohms	
DC Pass Current	4000 mA (Typ)	
Lightning Protection	8/20S 10kA Pulse (IEC 801-5)	
Input Power	250 Watts (Avg); 500 Watts (Peak)	
Intermodulation (PIM - 3 rd)	-161 dBc (2 Tones +43 dBm)	

MECHANICAL SPECIFICATIONS:

Connectors:	7/16 DIN (D) / Mini-DIN (MD) / 4.3-10 (D43) / Type-N (N)		
Housing Finish:	Aluminum Body		
Mounting Method:	Mounting Bracket	*** ORDERING INFO:	
Temperature Range:	-35°C to 75°C	Single Unit:	Part#: 921A-1732-2132-*
Relative Humidity:	5% - 95%	Dual Unit:	Part#: 922A-1732-2132-*
Environment:	IP67 (Outdoor)	* - Connector Option	

Dimensions for 922A-1732-2132-D



Please contact our sales department at 737-200-7090 or sales@InnowaveRF.com for any custom requirements.

© Innowave RF, LLC. All Rights Reserved. Specs can change without notice. Drawings are for reference purpose only.