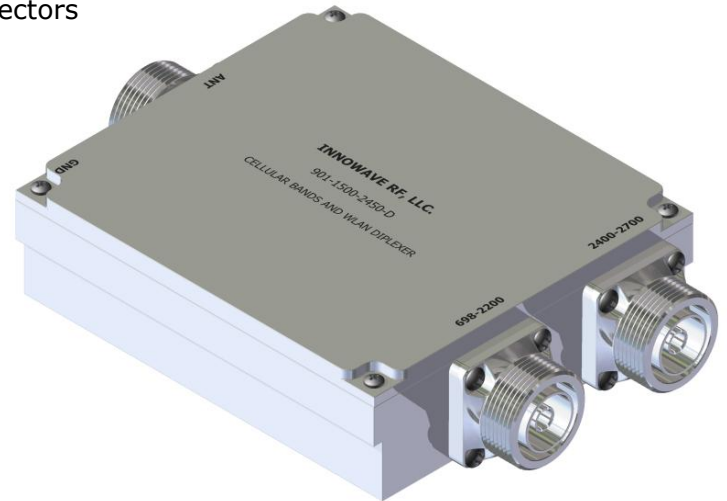


FEATURES:

- Splits or combines all the **Cellular Bands** (698MHz-2200MHz) and **WLAN/Wi-Fi/WiMAX Bands** (2400MHz-2500MHz & 4900MHz-5850MHz)
- Port 2 combines both 2.4GHz Wi-Fi and 5.8GHz Wi-Fi
- Best in Class Isolation between the 2 signals
- Very low Insertion Loss with superior out of band rejections
- Available in DIN, Mini-DIN, 4.3-10 or Type-N Connectors
- Low PIM and High Power Handling
- RoHS Complaint
- DC By-pass available on outdoor units
- Ease of Mounting with mounting holes
- Weatherproof / Outdoor options available
- In Stock and Available Immediately



ELECTRICAL SPECIFICATIONS:

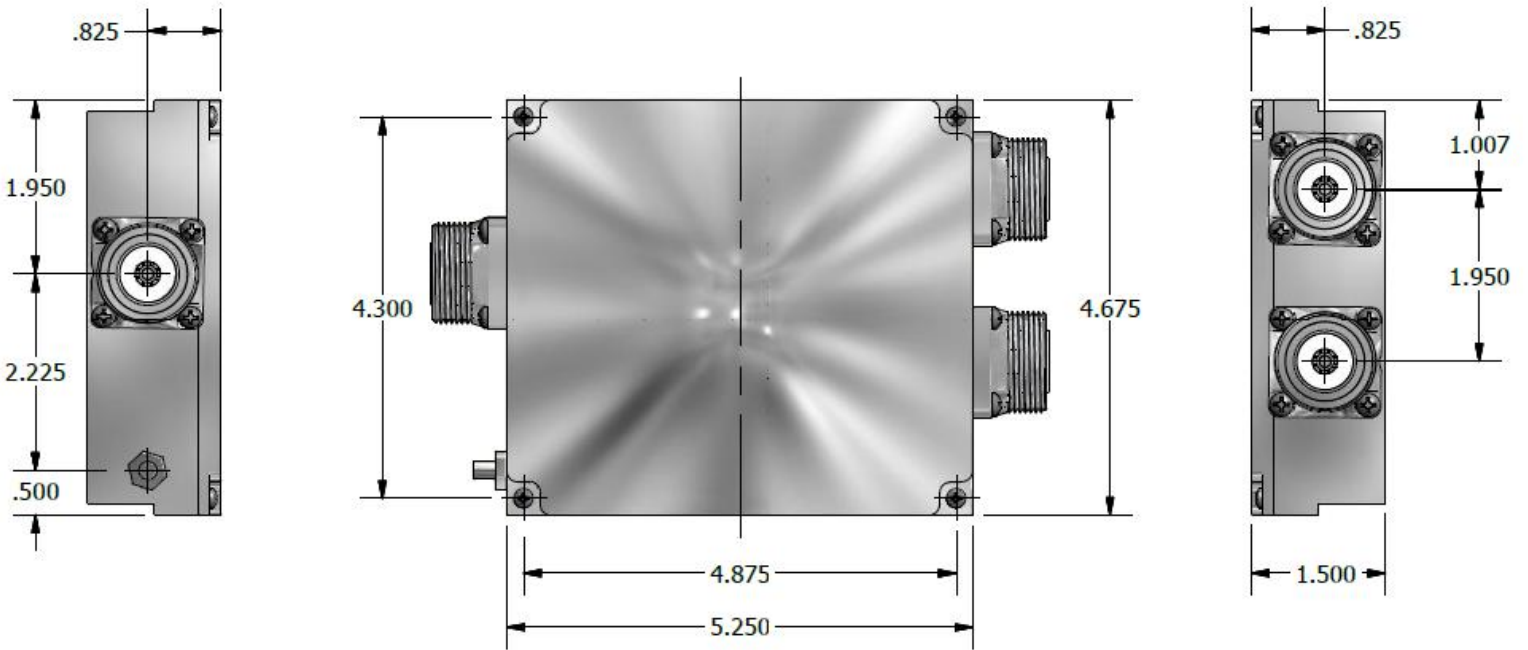
Frequency Bands	Cellular Bands 698 MHz-2200 MHz	WLAN/WiMAX/2.4GHz & 5.8GHz Wi-Fi 2400MHz-2700MHz 4900MHz-5850MHz
Passband Insertion Loss	0.20 dB	
Isolation	≥60 dB @ 2400MHz-2700MHz 4900MHz-5850MHz	≥60 dB @ 698MHz-2200MHz
Return Loss	21 dB	
Impedance	50 Ohms	
DC Pass Current	4000mA (Typ) (<i>Outdoor units only</i>)	
Lightning Protection	8/20S 10kA Pulse (IEC 801-5) (<i>Outdoor units only</i>)	
Input Power	400 Watts (Avg); 2500 Watts (Peak)	
Intermodulation (PIM - 3 rd)	-161 dBc (2 Tones +43 dBm)	

MECHANICAL SPECIFICATIONS:

Connectors:	7/16 DIN (D) / Mini-DIN (MD) / 4.3-10 (D43) / Type-N (N)		
Housing Finish:	Aluminum Body		
Mounting Method:	Mounting Panel		
Temperature Range:	-35°C to 75°C		
Relative Humidity:	5% - 95% (<i>Outdoor units only</i>)	*** ORDERING INFO:	
Environment:	IP67 (<i>Outdoor units only</i>)	Indoor Model:	Part#: 901X-1500-4900-*
		Outdoor Model:	Part#: 901-1500-4900-*

* - Connector Option

Dimensions for 901-1500-4900-D



Block Diagram for 901-1500-4900-*

