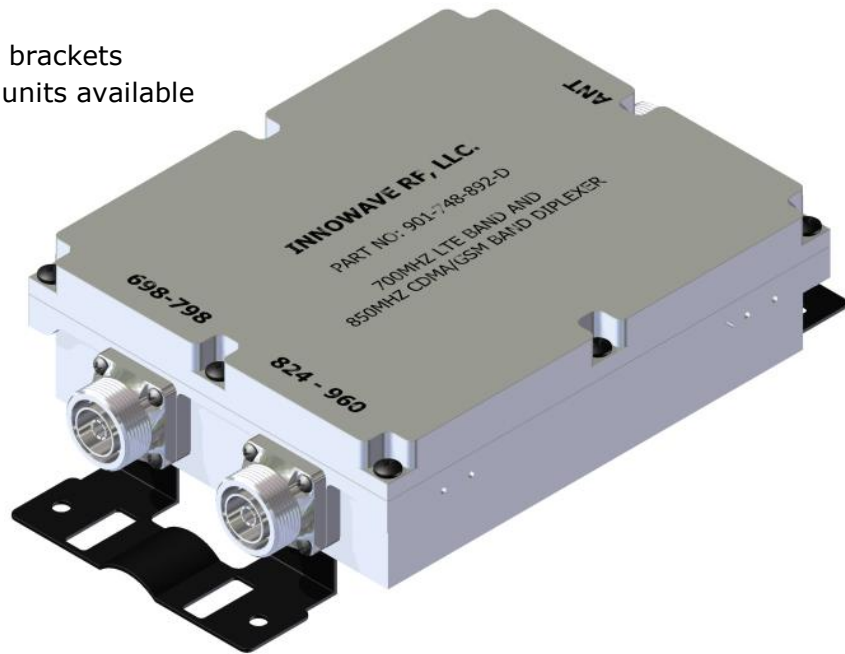
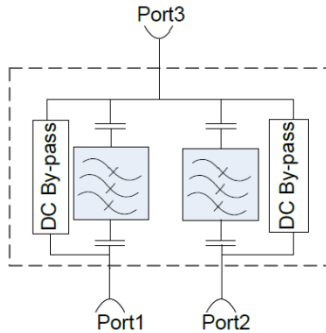


**FEATURES:**

- Splits or combines the **700 MHz LTE Band** (698MHz-798MHz) and **CDMA/GSM Band** (824MHz-960MHz)
- Best-in-class Isolation between the 2 signals
- Very low Insertion Loss with superior out of band rejections
- Available in DIN, Mini-DIN, 4.3-10 or Type-N Connectors
- Low-PIM with High Power Handling
- Ease of Mounting with mounting holes and brackets
- Single (901 Series) and Dual (902 Series) units available
- RoHS Complaint
- Weatherproof / Outdoor unit
- In Stock to low lead time delivery



**Block Diagram for 901-748-892**



**ELECTRICAL SPECIFICATIONS:**

Frequency Bands	700MHz LTE Band 698MHz-798MHz	850MHz CDMA/GSM Band 824MHz-960MHz
Passband Insertion Loss	0.35 dB (Typ)	
Isolation	≥70dB @ 824MHz - 960MHz	≥70dB @ 698MHz - 798MHz
Return Loss	20 dB (Typ)	
Impedance	50 Ohms	
Input Power	400 Watts (Avg); 2500 Watts (Peak)	
DC Pass Current	4000 mA (Typ)	
Lightning Protection	8/20S 10kA Pulse (IEC 801-5)	
Intermodulation (PIM - 3 <sup>rd</sup> )	-161 dBc (Min) (2 Tones +43 dBm)	

**MECHANICAL SPECIFICATIONS:**

Connectors:	7/16 DIN (D) / Mini-DIN (MD) / 4.3-10 (D43) / Type-N (N)
Housing Finish:	Aluminum Body
Mounting Method:	Mounting Panel
Temperature Range:	-35°C to 75°C
Relative Humidity:	5% - 95%
Environment:	IP67

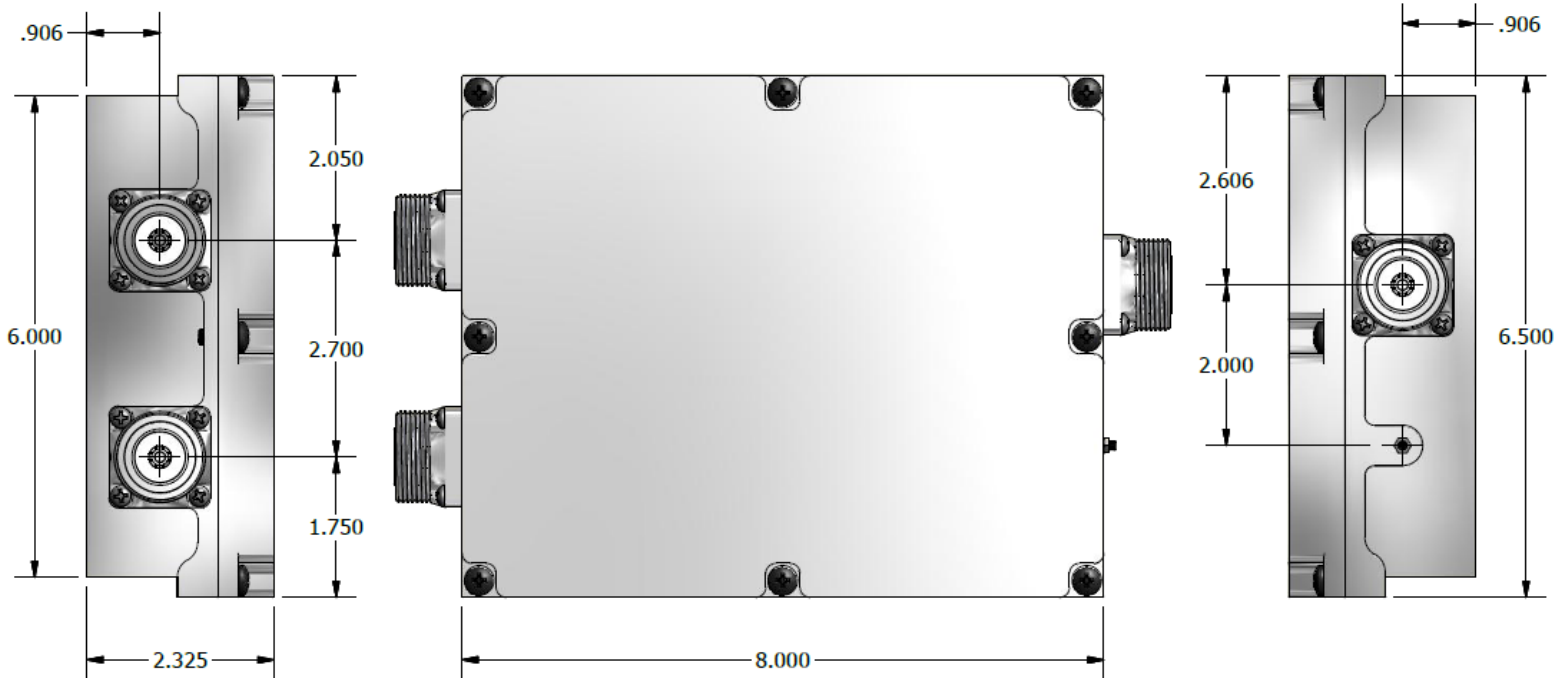
**\*\*\* ORDERING INFO:**

**Single Model:** Part#: 901-748-892-\*

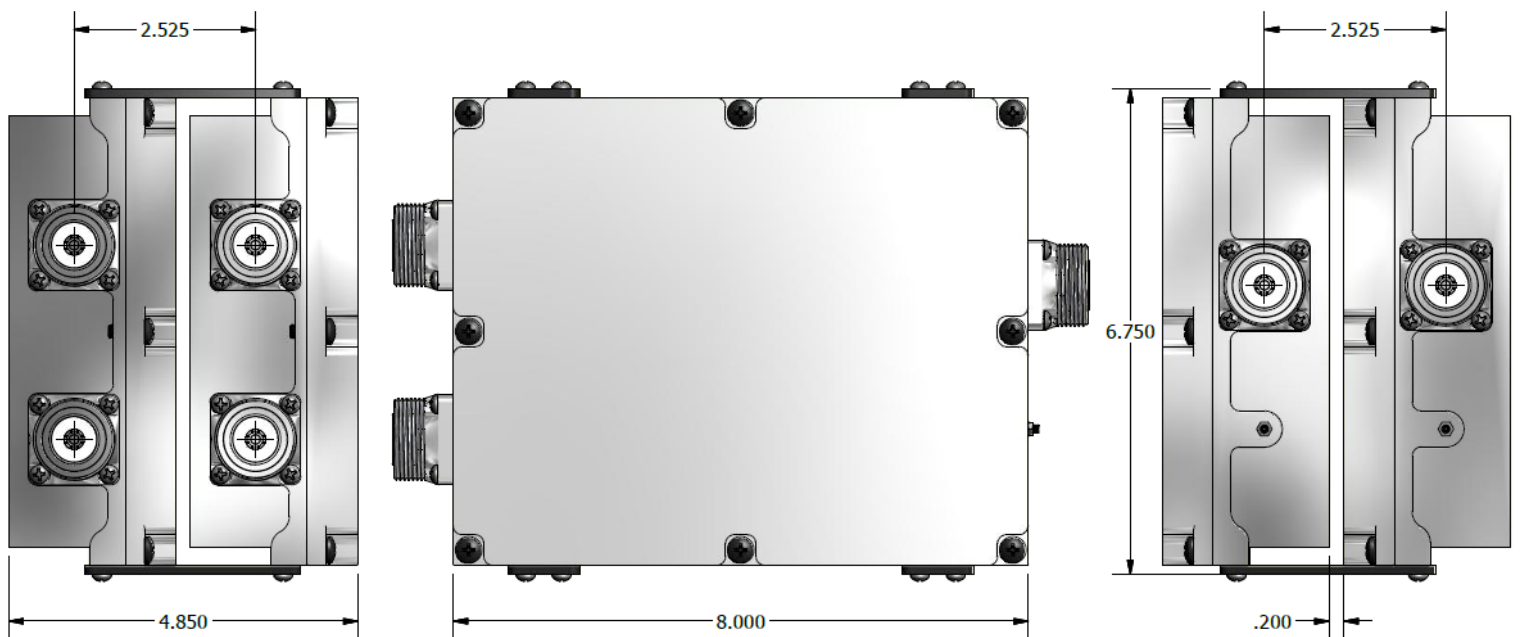
**Dual Model:** Part#: 902-748-892-\*

\* - Connector Option

**Dimensions for 901-748-892-D**



**Dimensions for 902-748-892-D**



Please contact our sales department at 737-200-7090 or [sales@InnowaveRF.com](mailto:sales@InnowaveRF.com) for any custom requirements.

© Innowave RF, LLC. All Rights Reserved. Specs can change without notice. Drawings are for reference purpose only.