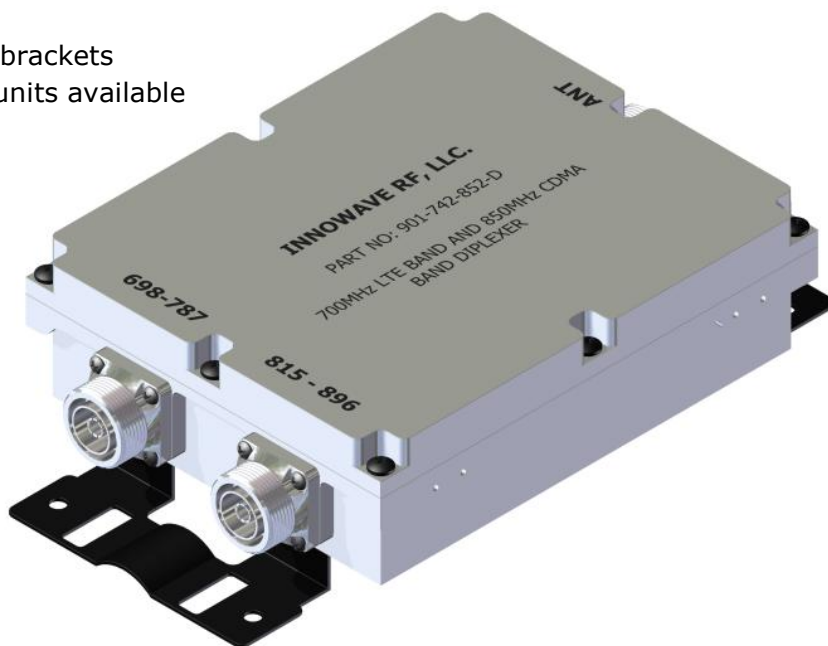
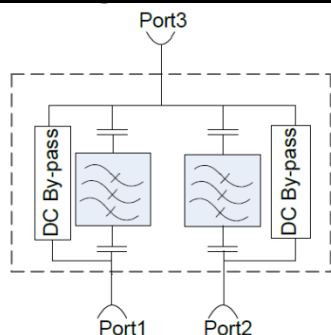


FEATURES:

- Splits or combines the **700 MHz LTE Band** (698MHz-787MHz) and **850 MHz CDMA Band** (815MHz-896MHz)
- Best-in-class Isolation between the 2 signals
- Very low Insertion Loss with superior out of band rejections
- Available in DIN, Mini-DIN, 4.3-10 or Type-N Connectors
- Low-PIM with High Power Handling
- Ease of Mounting with mounting holes and brackets
- Single (901 Series) and Dual (902 Series) units available
- RoHS Complaint
- Weatherproof / Outdoor unit
- In Stock to low lead time delivery



Block Diagram for 901-742-852



ELECTRICAL SPECIFICATIONS:

Frequency Bands	700MHz LTE Band 698MHz-787MHz	850MHz CDMA Band 815MHz-896MHz
Passband Insertion Loss	0.20 dB	
Isolation	≥70dB @ 815MHz - 896MHz	≥70dB @ 698MHz - 787MHz
Return Loss	21 dB	
Impedance	50 Ohms	
Input Power	400 Watts (Avg); 2500 Watts (Peak)	
DC Pass Current	4000 mA (Typ)	
Lightning Protection	8/20S 10kA Pulse (IEC 801-5)	
Intermodulation (PIM - 3 rd)	-161 dBc (2 Tones +43 dBm)	

MECHANICAL SPECIFICATIONS:

Connectors:	7/16 DIN (D) / Mini-DIN (MD) / 4.3-10 (D43) / Type-N (N)
Housing Finish:	Aluminum Body
Mounting Method:	Mounting Panel
Temperature Range:	-35°C to 75°C
Relative Humidity:	5% - 95%
Environment:	IP67

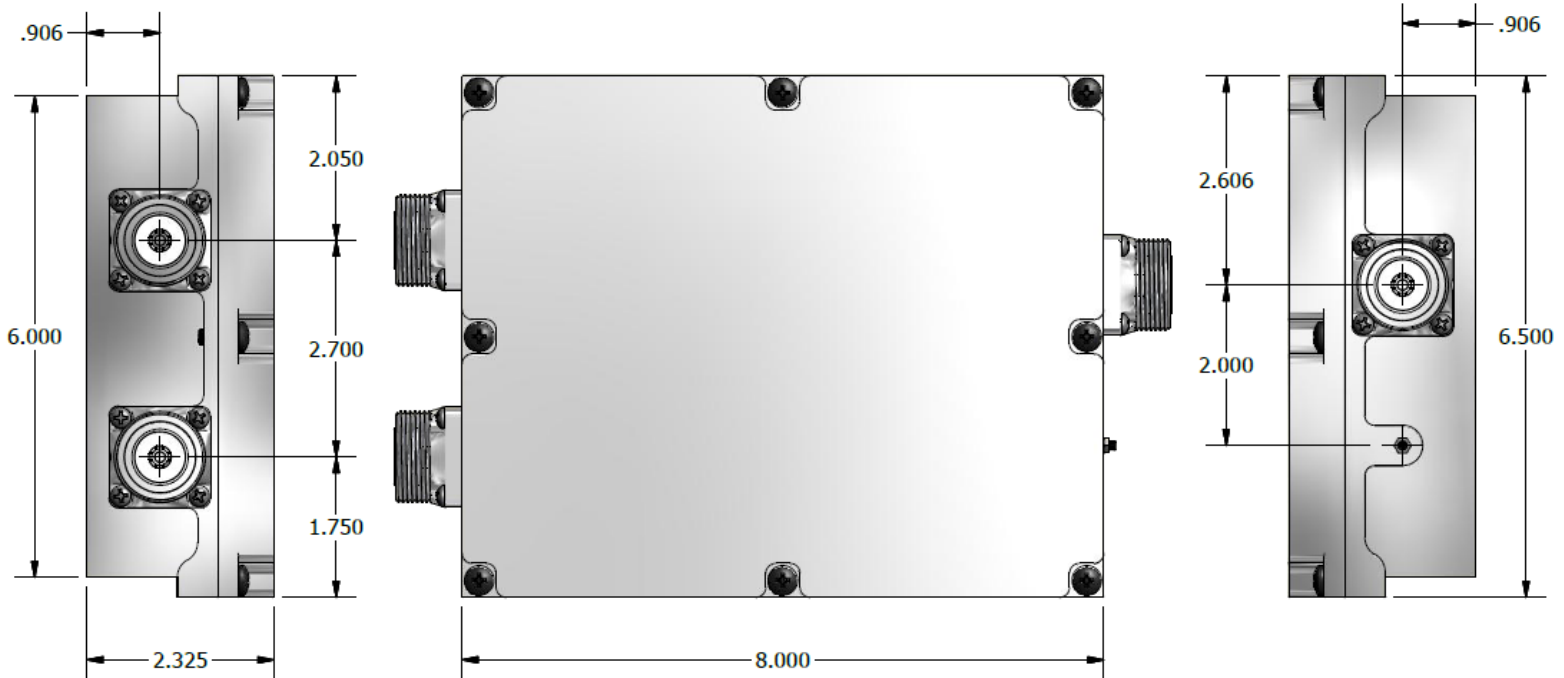
***** ORDERING INFO:**

Single Model: Part#: 901-742-852-*

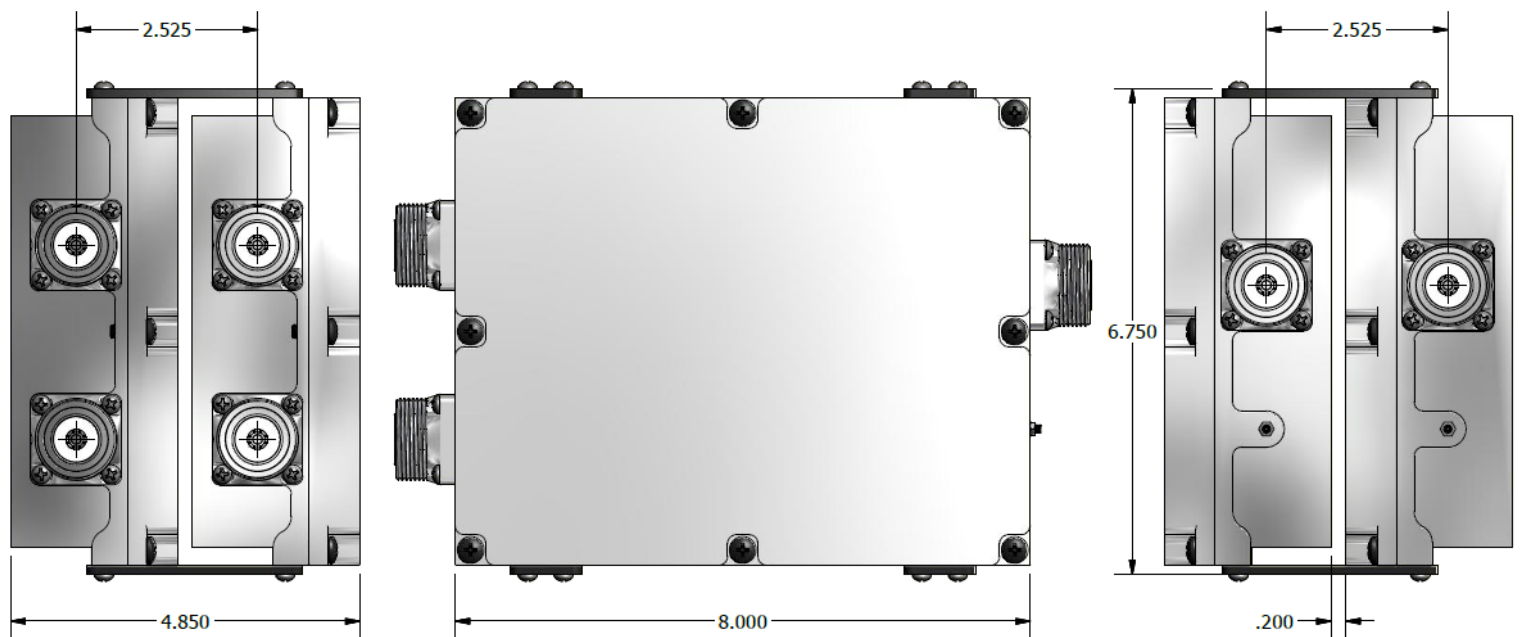
Dual Model: Part#: 902-742-852-*

* - Connector Option

Dimensions for 901-742-852-D



Dimensions for 902-742-852-D



Please contact our sales department at 737-200-7090 or sales@InnowaveRF.com for any custom requirements.

© Innowave RF, LLC. All Rights Reserved. Specs can change without notice. Drawings are for reference purpose only.