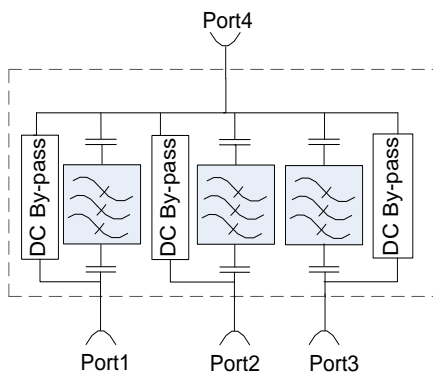


**FEATURES:**

- Splits or combines the **700MHz LTE, CDMA Band** (698MHz-960MHz), **PCS, AWS-1 & AWS-3 Bands** (1695MHz-2180MHz) and **WCS, 2600MHz LTE Band** (2300MHz-2690MHz)
- Excellent Isolation between the bands
- Very low Insertion Loss with superior out of band rejections
- Available in DIN, Mini-DIN, 4.3-10 or Type-N Connectors
- Low-PIM with High Power Handling
- Ease of Mounting with mounting holes and brackets
- ROHS Complaint
- Weatherproof for Outdoor use
- In Stock and Available Immediately



**ELECTRICAL SPECIFICATIONS:**

Frequency Bands	700MHz LTE, 850MHz CDMA	PCS, AWS-1 & AWS-3	WCS, 2600MHz LTE
	698MHz - 960MHz	1695MHz - 2180MHz	2300MHz - 2690MHz
Passband Insertion Loss	0.25 dB (Typ)		
Isolation	≥ 60 dB	≥ 60 dB	≥ 60 dB
Return Loss	-20 dB (Typ)		
Impedance	50 Ohms		
Input Power	400 Watts (Avg); 3000 Watts (Peak)		
Intermodulation (PIM - 3 <sup>rd</sup> ) ***	-157dBc (Typ) (2 Tones +43 dBm)		
DC Pass Current	3000mA (Typ)		
Lightning Protection	8/20S 10kA Pulse (IEC801-5)		
MTBF Hours	≥ 500,000		

**MECHANICAL SPECIFICATIONS:**

- Connectors: Type-N (N) / DIN (D) / Mini-DIN (MD) / 4.3-10 (D43)
- Housing Finish: Aluminum Body
- Mounting Method: Mounting Holes
- Temperature Range: -30°C to 60°C
- Humidity: 5% – 95%
- Environment: IP67

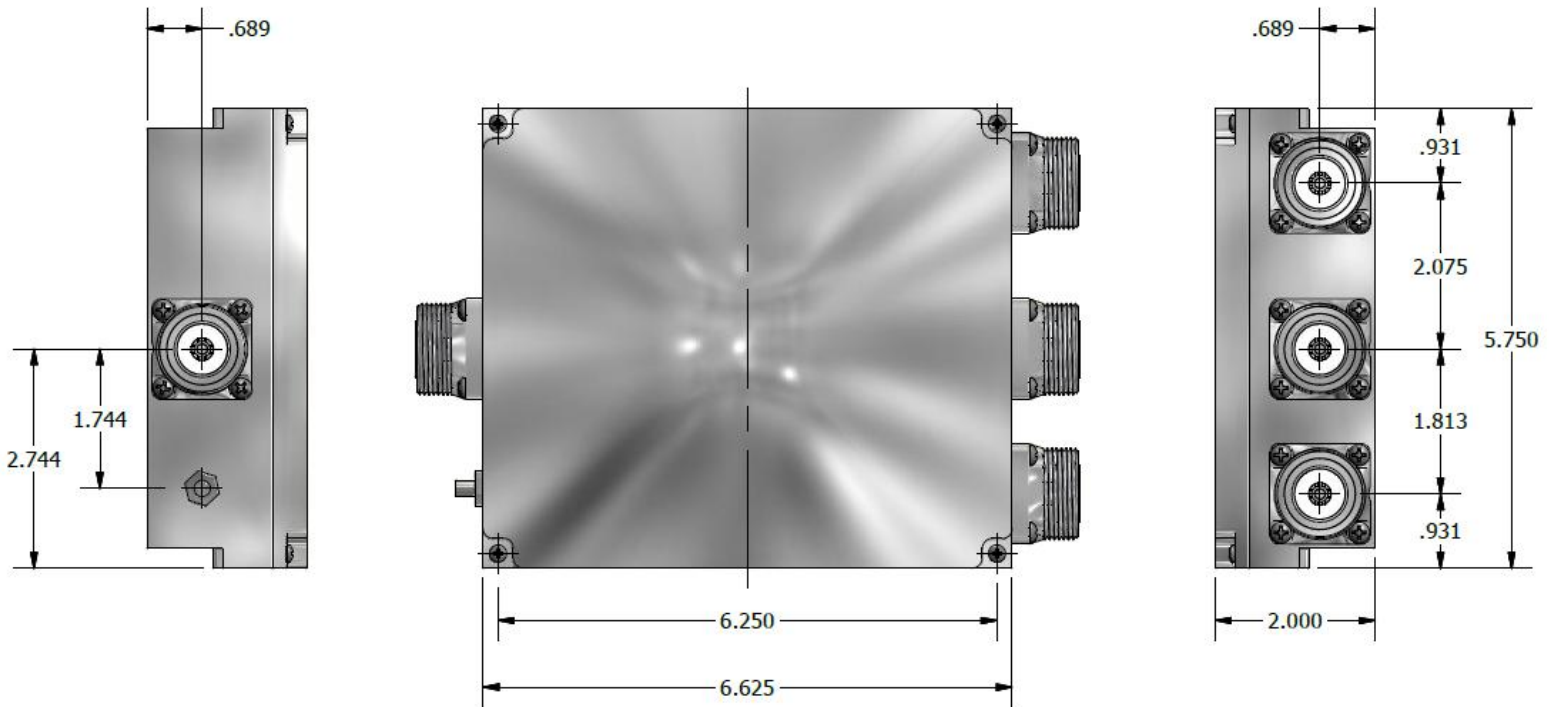
**\*\*\* ORDERING INFO:**

**Single Model:** Part#: 931-1400-2490-\*

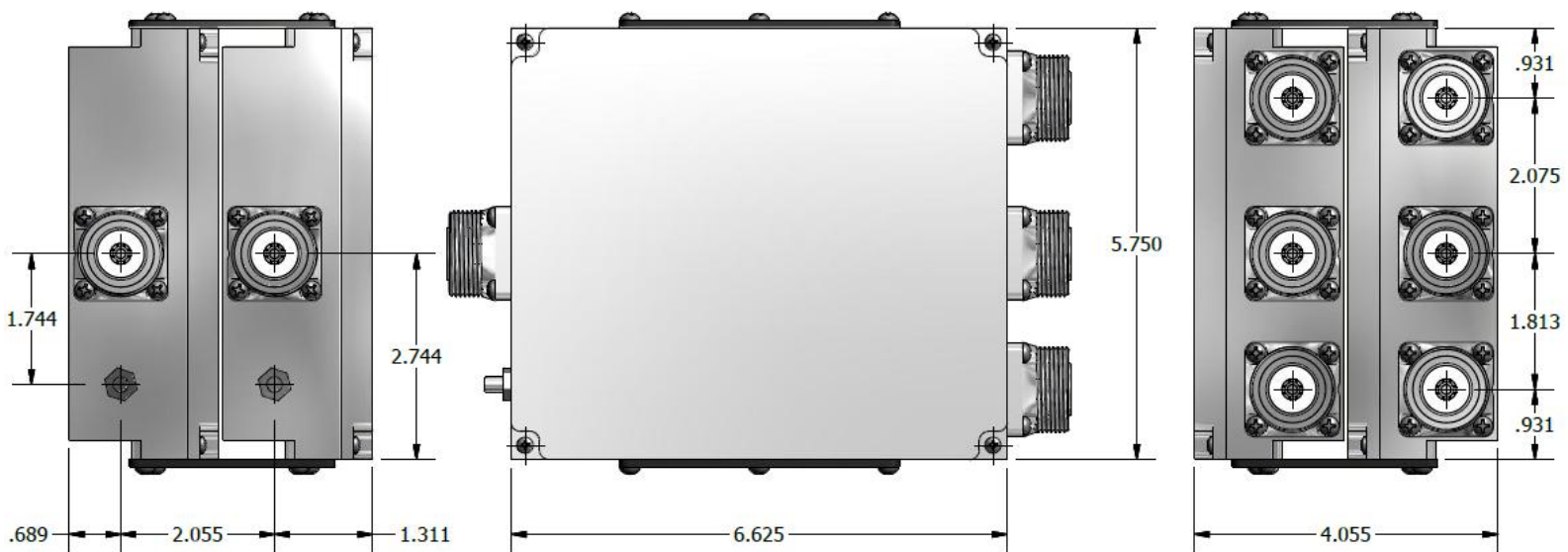
**Dual Model:** Part#: 932-1400-2490-\*

\* - Connector Option

**Dimensions for 931-1400-2490-D**



**Dimensions for 932-1400-2490-D**



Please contact our sales department at 737-200-7090 or [sales@InnowaveRF.com](mailto:sales@InnowaveRF.com) for any custom requirements.  
 © Innowave RF, LLC. All Rights Reserved. Specs can change without notice. Drawings are for reference purpose only.