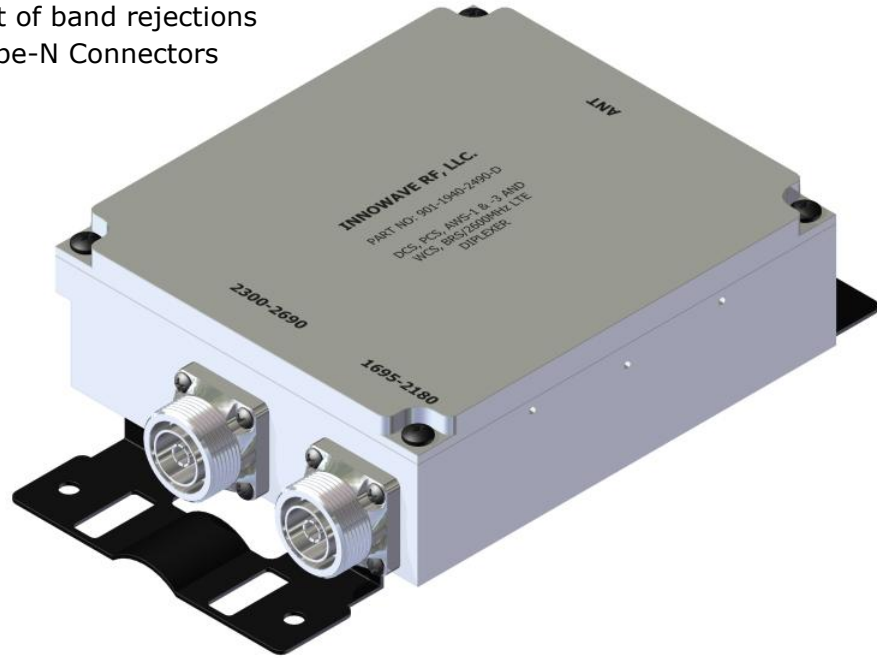
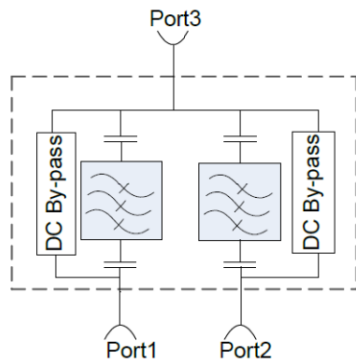


**FEATURES:**

- Splits or combines the **DCS/PCS/AWS-1/AWS-3 Bands** (1695MHz–2180MHz) and **WCS/BRS/2600MHz LTE Bands** (2300MHz–2690MHz)
- Best-in-class Isolation between the 2 signals
- Very low Insertion Loss with superior out of band rejections
- Available in DIN, Mini-DIN, 4.3-10 or Type-N Connectors
- Low-PIM with High Power Handling
- RoHS Complaint
- Weatherproof / Outdoor unit
- In Stock to low lead time delivery



**DC By-Pass for 901-1940-2490**



**ELECTRICAL SPECIFICATIONS:**

Frequency Bands	DCS/PCS/AWS-1/AWS-3 Bands 1695MHz-2180MHz	WCS/BRS/2600LTE Bands 2300MHz-2690MHz
Passband Insertion Loss	0.20 dB	
Isolation	≥70dB @ 2300MHz-2690MHz	≥70dB @ 1695MHz-2180MHz
Return Loss	21 dB	
Impedance	50 Ohms	
Input Power	400 Watts (Avg); 2000 Watts (Peak)	
DC Pass Current	4000 mA (Typ)	
Lightning Protection	8/20S 10kA Pulse (IEC 801-5)	
Intermodulation (PIM - 3 <sup>rd</sup> )	-161 dBc (2 Tones +43 dBm)	

**MECHANICAL SPECIFICATIONS:**

- Connectors: 7/16 DIN (D) / Mini-DIN (MD) / 4.3-10 (D43) / Type-N (N)
- Housing Finish: Aluminum Body
- Mounting Method: Mounting Panel
- Temperature Range: -35°C to 75°C
- Relative Humidity: 5% - 95%
- Environment: IP67

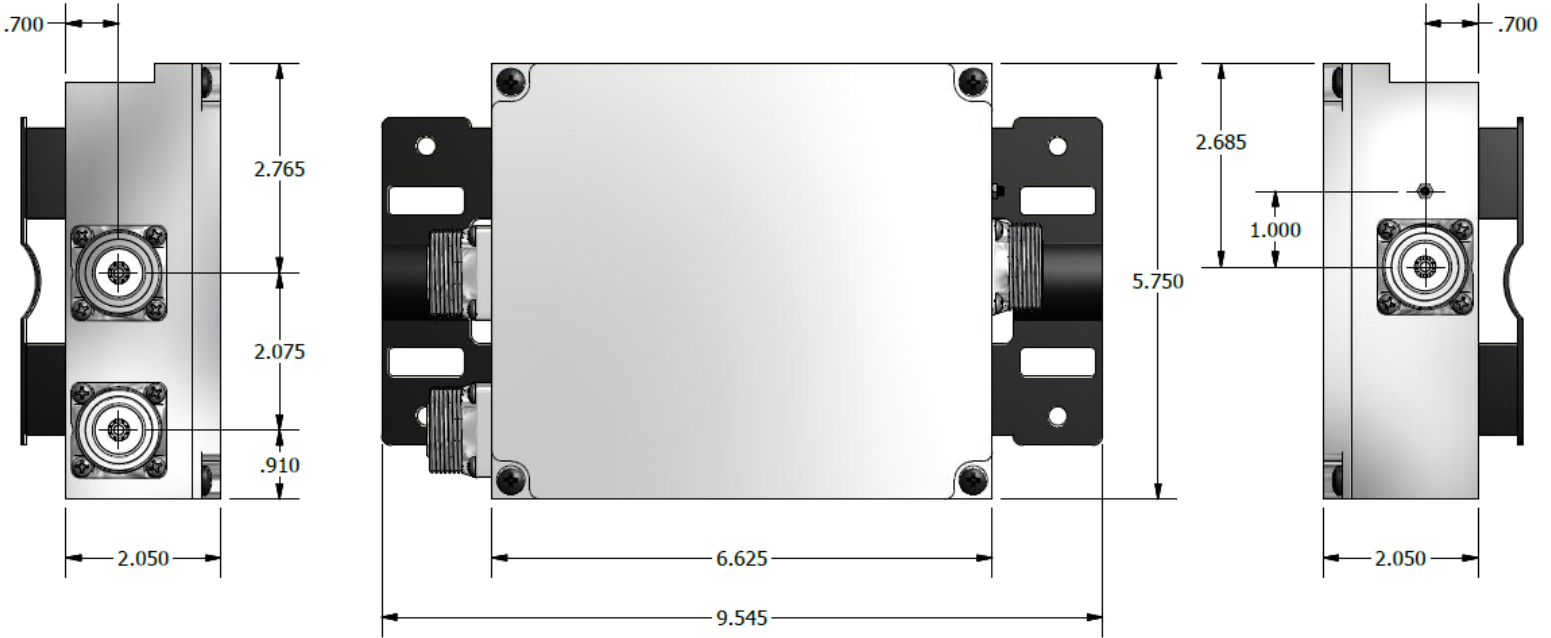
**\*\*\* ORDERING INFO:**

**Single Model:** Part#: 901-1940-2490-\*

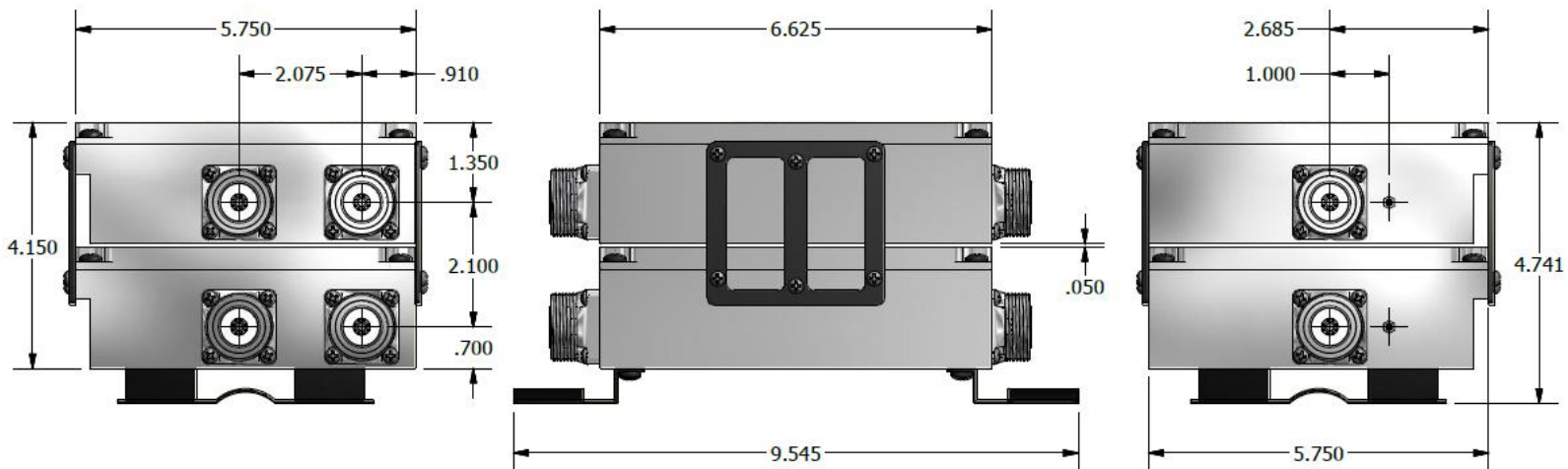
**Dual Model:** Part#: 902-1940-2490-\*

\* - Connector Option

**Dimensions for 901-1940-2490-D**



**Dimensions for 902-1940-2490-D**



Please contact our sales department at 737-200-7090 or [sales@InnowaveRF.com](mailto:sales@InnowaveRF.com) for any custom requirements.

© Innowave RF, LLC. All Rights Reserved. Specs can change without notice. Drawings are for reference purpose only.