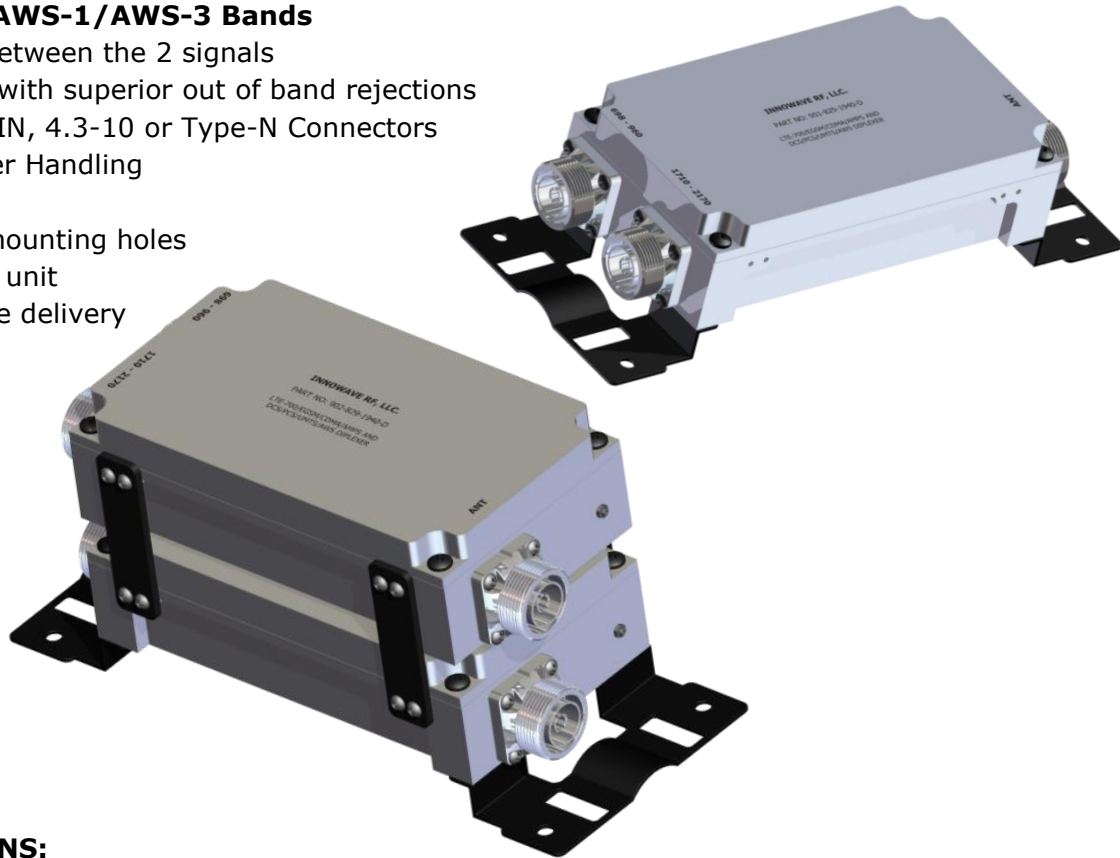
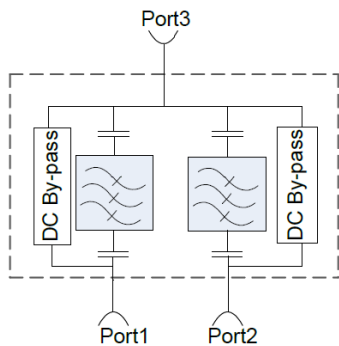


Innovation in Every Wave 700LTE/GSM/CDMA and DCS/PCS/UMTS/AWS-1/AWS-3 Diplexer / Combiner

FEATURES:

- Splits or combines the **700MHz LTE/GSM/CDMA/AMPS Bands** and **DCS/PCS/UMTS/AWS-1/AWS-3 Bands**
- Best-in-class Isolation between the 2 signals
- Very low Insertion Loss with superior out of band rejections
- Available in DIN, Mini-DIN, 4.3-10 or Type-N Connectors
- Low-PIM with High Power Handling
- RoHS Compliant
- Ease of Mounting with mounting holes
- Weatherproof / Outdoor unit
- In Stock to low lead time delivery



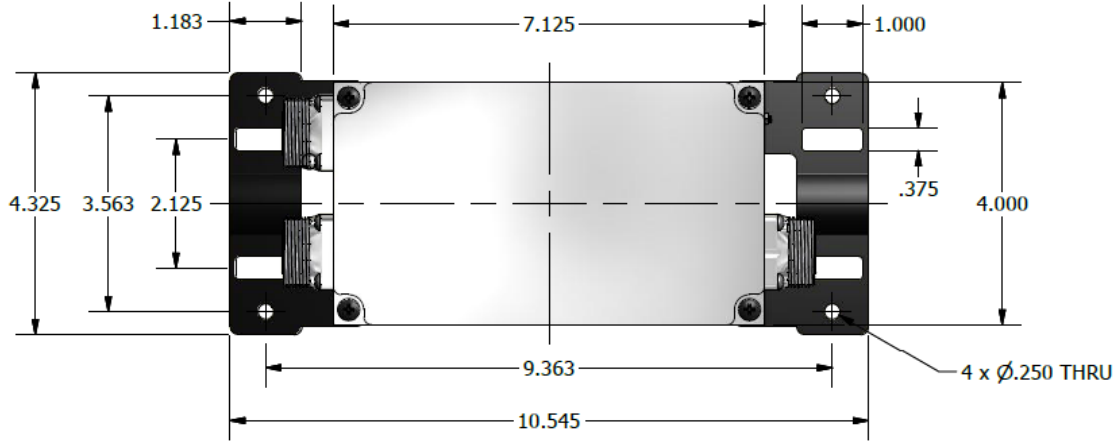
ELECTRICAL SPECIFICATIONS:

| | | |
|--|--|---|
| Frequency Bands | 700-LTE/GSM/CDMA/AMPS 698 MHz - 960 MHz | DCS/PCS/UMTS/AWS-1/AWS-3 1695 MHz - 2180 MHz |
| Passband Insertion Loss | 0.20 dB | |
| Isolation | ≥70 dB @ 1695MHz-2180MHz | ≥70 dB @ 698MHz-960MHz |
| Return Loss | 21 dB | |
| Impedance | 50 Ohms | |
| Input Power | 400 Watts (Avg); 2500 Watts (Peak) | |
| DC Pass Current | 4000 mA (Typ) | |
| Lightning Protection | 8/20S 10kA Pulse (IEC 801-5) | |
| Intermodulation (PIM - 3 rd) | -161 dBc (2 Tones +43 dBm) | |

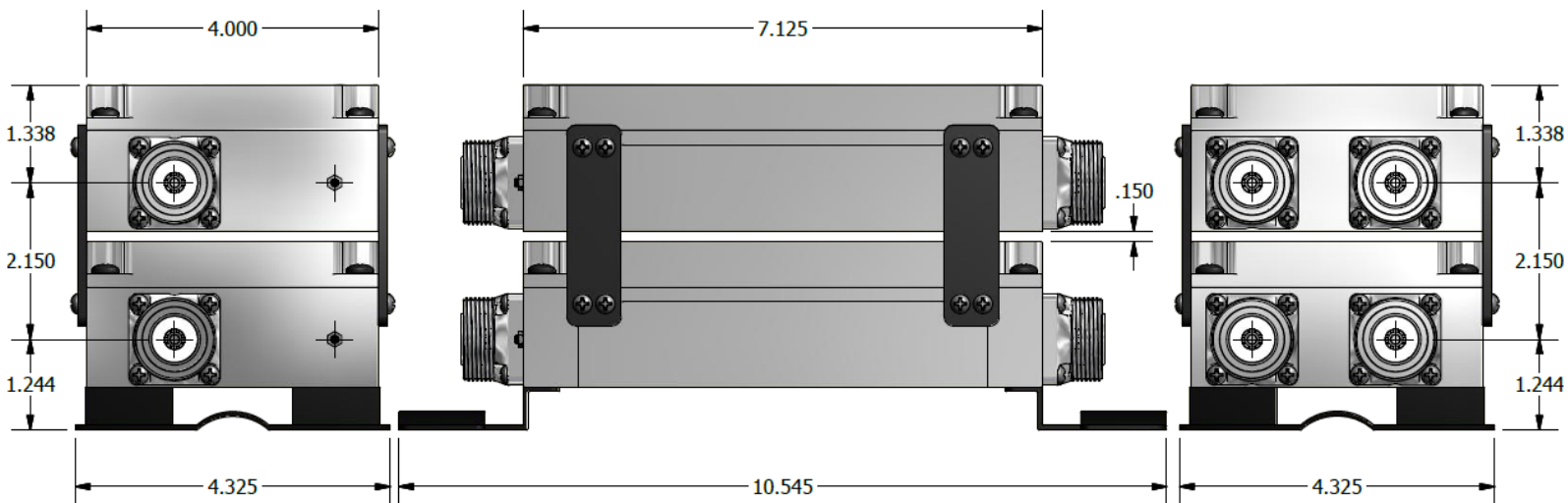
MECHANICAL SPECIFICATIONS:

| | | |
|--------------------|--|--|
| Connectors: | 7/16 DIN (D) / Mini-DIN (MD) / 4.3-10 (D43) / Type-N (N) | |
| Housing Finish: | Aluminum Body | |
| Mounting Method: | Mounting Holes | *** ORDERING INFO: |
| Temperature Range: | -20°C to 80°C | Single Model: Part#: 901-829-1940-* |
| Humidity: | 5% – 95% | Dual Model: Part#: 902-829-1940-* |
| Environment: | IP67 | * - Connector Option |

Dimensions for 901-829-1940-D



Dimensions for 902-829-1940-D



Please contact our sales department at 737-200-7090 or sales@InnowaveRF.com for any custom requirements.
 © Innowave RF, LLC. All Rights Reserved. Specs can change without notice. Drawings are for reference purpose only.