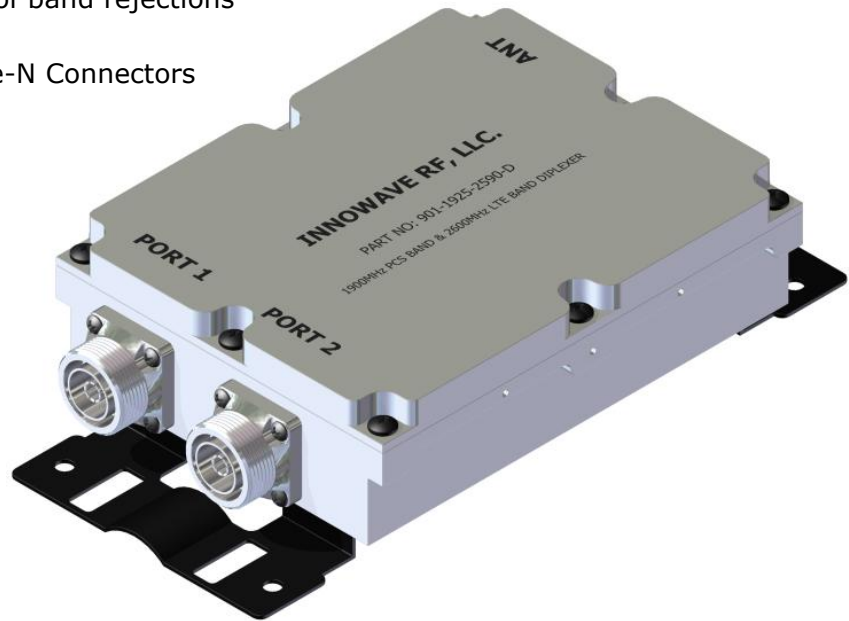
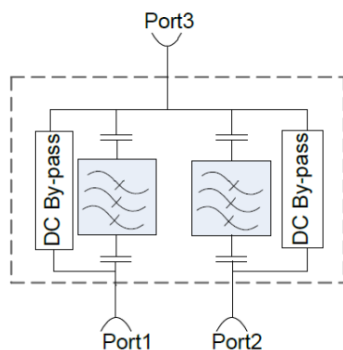


FEATURES:

- Splits or combines the **1900MHz PCS Band** (1850MHz–2000MHz) and **2600MHz LTE Band** (2496MHz–2690MHz)
- Best-in-class Isolation between the 2 signals
- Very low Insertion Loss with superior out of band rejections
- Low-PIM with High Power Handling
- Available in DIN, Mini-DIN, 4.3-10 or Type-N Connectors
- RoHS Complaint
- Weatherproof / Outdoor unit
- In Stock to low lead time delivery



DC By-Pass for 901-1925-2590



ELECTRICAL SPECIFICATIONS:

Frequency Bands	1900MHz PCS Band 1850MHz-2000MHz	2600MHz LTE Band 2496MHz-2690MHz
Passband Insertion Loss	0.20 dB	
Isolation	≥70dB @ 2496MHz-2690MHz	≥70dB @ 1850MHz-2000MHz
Return Loss	21 dB	
Impedance	50 Ohms	
Input Power	400 Watts (Avg); 2000 Watts (Peak)	
DC Pass Current	4000 mA (Typ)	
Lightning Protection	8/20S 10kA Pulse (IEC 801-5)	
Intermodulation (PIM - 3 rd)	-161 dBc (2 Tones +43 dBm)	

MECHANICAL SPECIFICATIONS:

Connectors: 7/16 DIN (D) / Mini-DIN (MD) / 4.3-10 (D43) / Type-N (N)
 Housing Finish: Aluminum Body
 Mounting Method: Mounting Panel
 Temperature Range: -35°C to 75°C
 Relative Humidity: 5% - 95%
 Environment: IP67

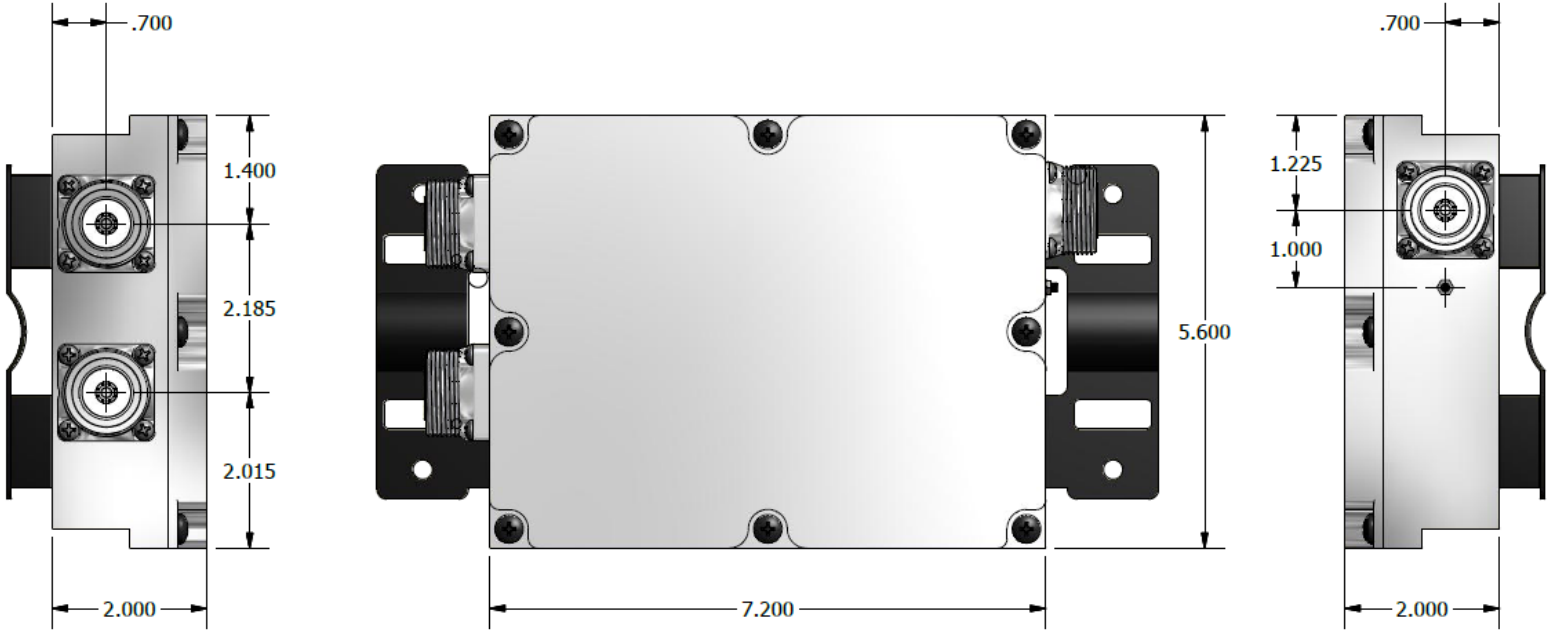
***** ORDERING INFO:**

Single Model: Part#: 901-1925-2590-*

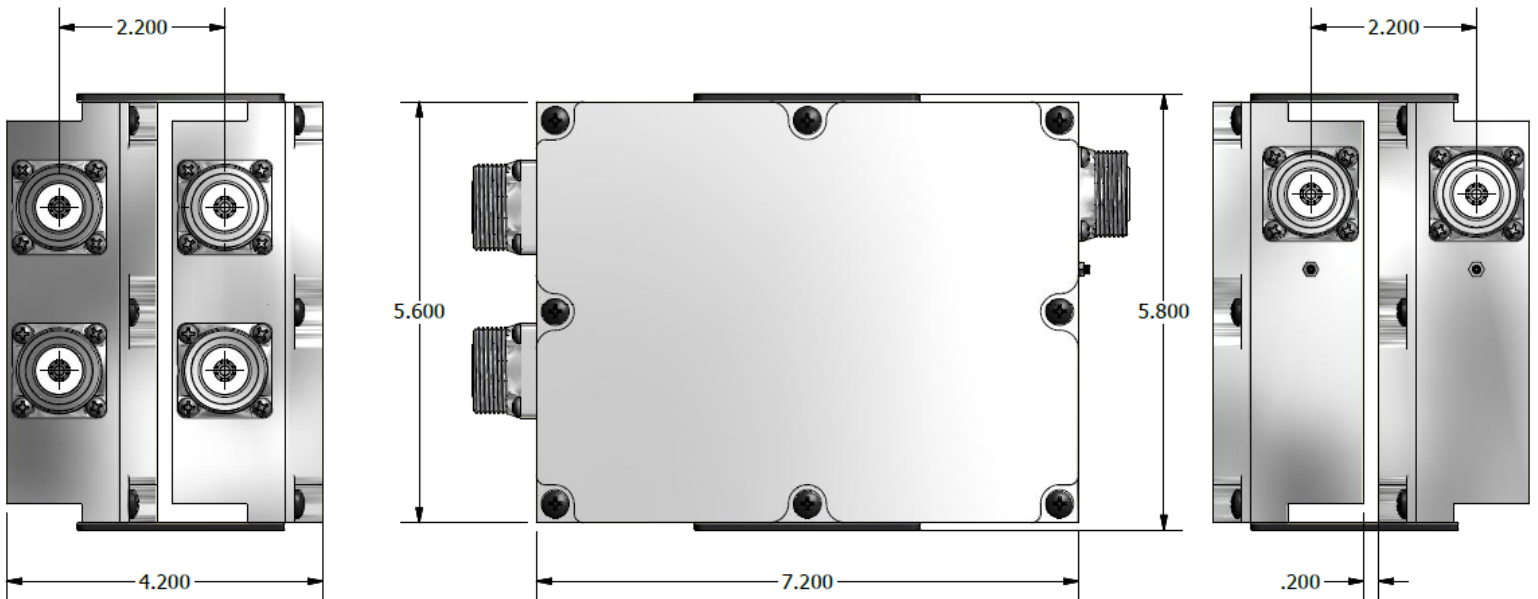
Dual Model: Part#: 902-1925-2590-*

* - Connector Option

Dimensions for 901-1925-2590-D



Dimensions for 902-1925-2590-D



Please contact our sales department at 737-200-7090 or sales@InnowaveRF.com for any custom requirements.

© Innowave RF, LLC. All Rights Reserved. Specs can change without notice. Drawings are for reference purpose only.