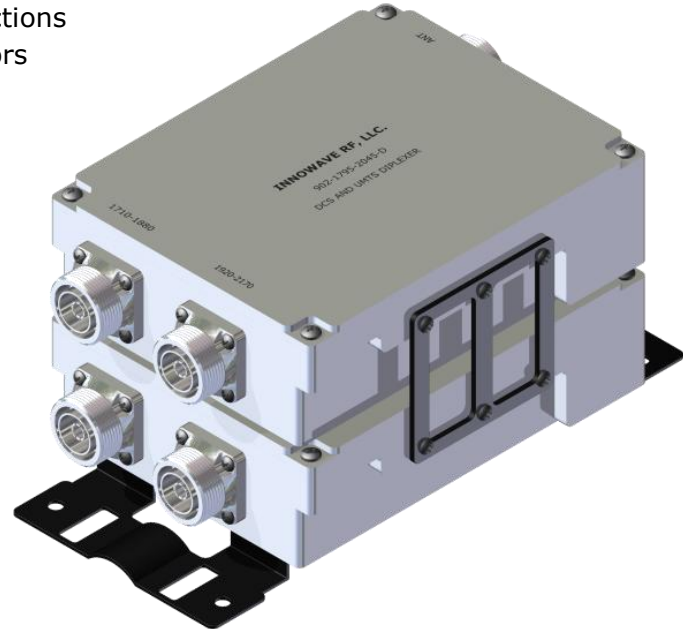
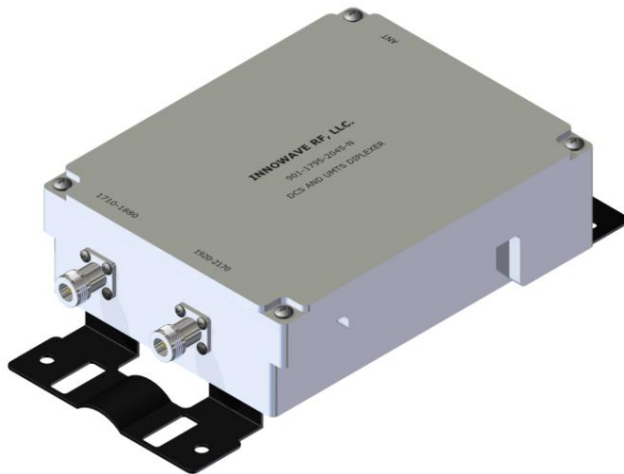


FEATURES:

- Splits or combines the **DCS Band** (1710MHz-1880MHz) and **UMTS Band** (1920MHz-2170MHz)
- Best-in-class Isolation between the 2 signals
- Very low Insertion Loss with superior out of band rejections
- Available in DIN, Mini-DIN, 4.3-10 or Type-N Connectors
- Low PIM with High Power Handling
- RoHS Compliant
- Ease of Mounting with mounting holes and brackets
- Weatherproof / Outdoor options available
- In Stock to low lead time delivery



ELECTRICAL SPECIFICATIONS:

Frequency Bands	DCS Band 1710 MHz - 1880 MHz	UMTS Band 1920 MHz - 2170 MHz
Passband Insertion Loss	0.35 dB (Typ)	
Isolation	≥70 dB @ 1920MHz-2170MHz	≥70 dB @ 1710MHz-1880MHz
Return Loss	20 dB (Typ)	
Impedance	50 Ohms	
DC Pass Current	5000mA (Typ) (Not available for Type-N Connectors)	
Lightning Protection	8/20S 10kA Pulse (IEC 801-5) (Not available for Type-N Connectors)	
Input Power	400 Watts (Avg); 2500 Watts (Peak)	
Intermodulation (PIM - 3 rd)	-157 dBc (Min) (2 Tones +43 dBm)	

MECHANICAL SPECIFICATIONS:

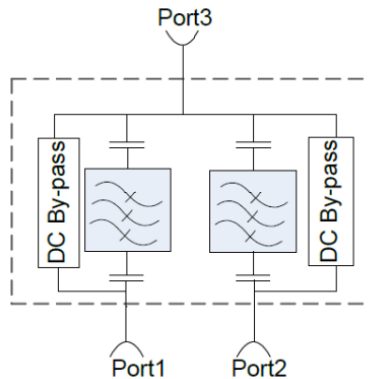
Connectors:	7/16 DIN (D) / Mini-DIN (MD) / 4.3-10 (D43) / Type-N (N)
Housing Finish:	Aluminum Body
Mounting Method:	Mounting Panel
Temperature Range:	-35°C to 75°C
Relative Humidity:	5% - 95%
Environment:	IP67

***** ORDERING INFO:**

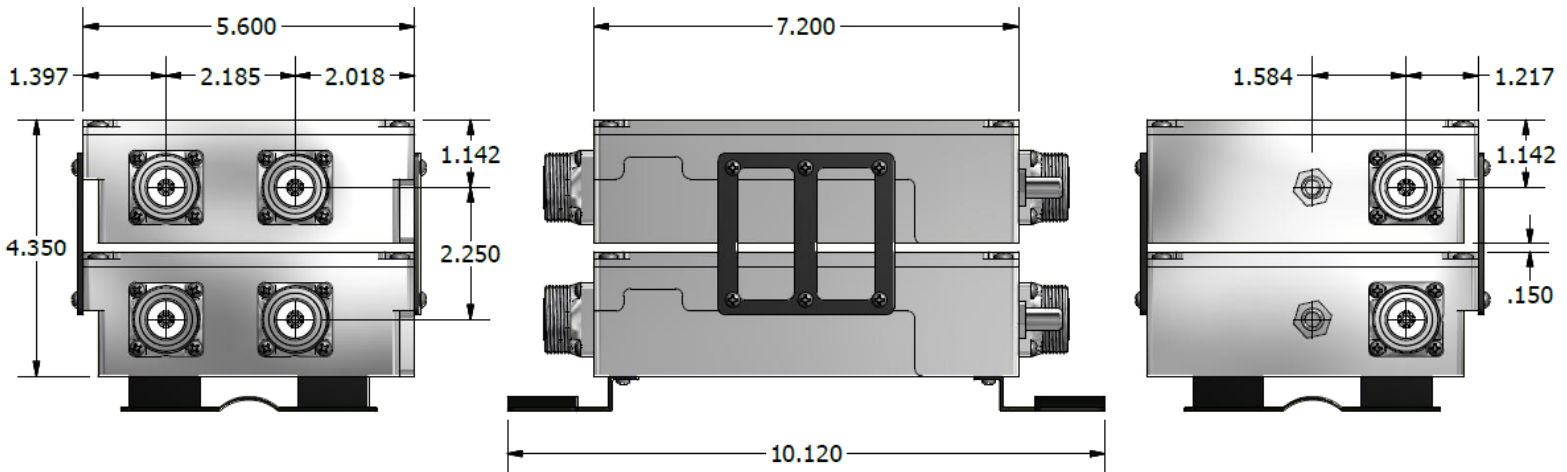
Single Model:	Part#: 901-1795-2045-*
Dual Model:	Part#: 902-1795-2045-*

* - Connector Option

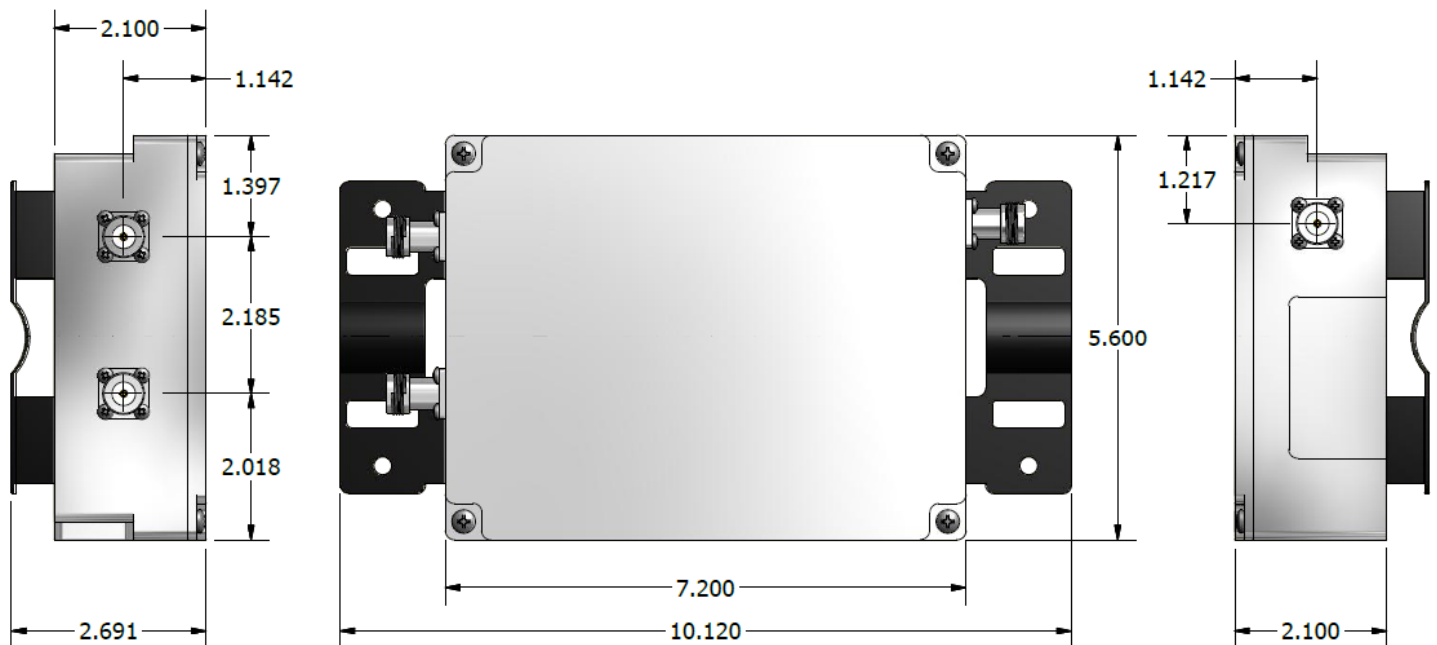
DC By-Pass for 901-1795-2045 (Not available for Type-N Connectors)



Dimensions for 902-1795-2045-D



Dimensions for 901-1795-2045-N



Please contact our sales department at 737-200-7090 or sales@InnowaveRF.com for any custom requirements.
 © Innowave RF, LLC. All Rights Reserved. Specs can change without notice. Drawings are for reference purpose only.