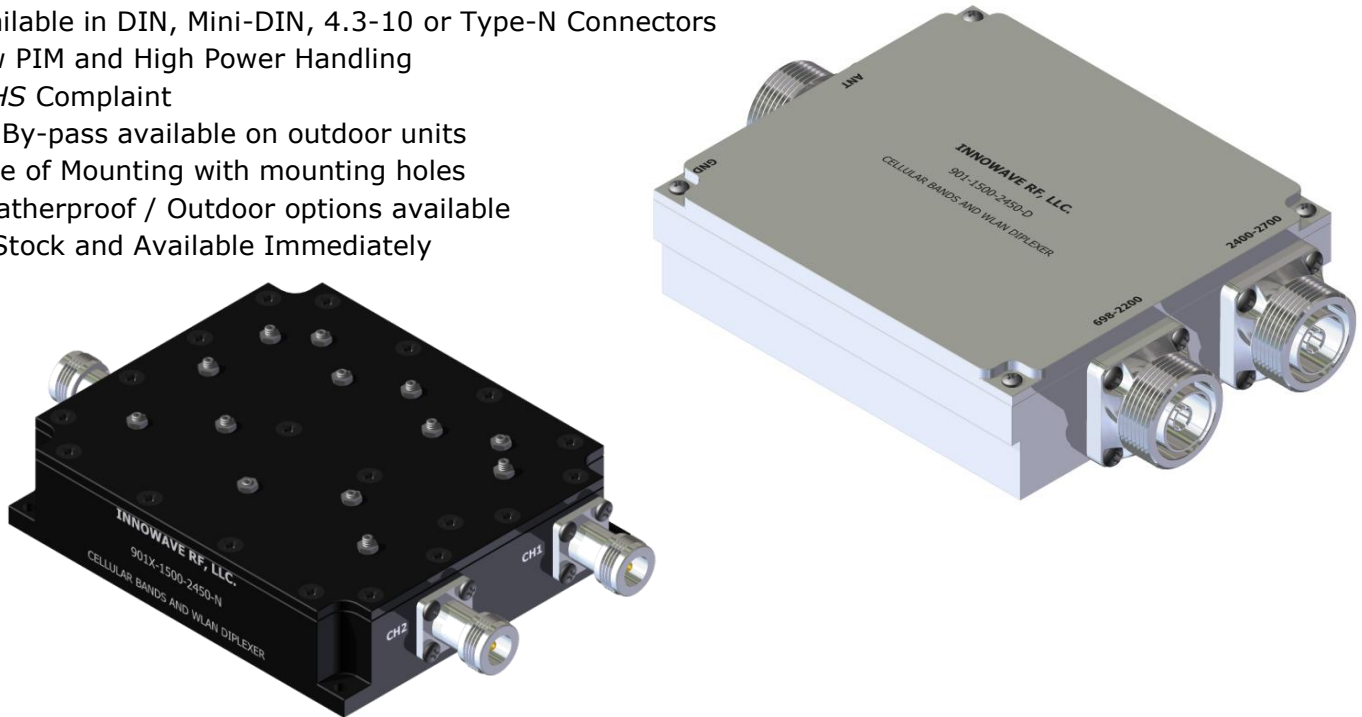


**FEATURES:**

- Splits or combines all the **Cellular Bands** (698MHz-2200MHz) and **WLAN/Wi-Fi/WiMAX/ISM Bands** (2400MHz-2700MHz)
- Best in Class Isolation between the 2 signals
- Very low Insertion Loss with superior out of band rejections
- Available in DIN, Mini-DIN, 4.3-10 or Type-N Connectors
- Low PIM and High Power Handling
- RoHS Complaint
- DC By-pass available on outdoor units
- Ease of Mounting with mounting holes
- Weatherproof / Outdoor options available
- In Stock and Available Immediately



**ELECTRICAL SPECIFICATIONS:**

Frequency Bands	Cellular Bands 698 MHz - 2200 MHz	WLAN/Wi-Fi/ISM Bands 2400 MHz - 2700 MHz
Passband Insertion Loss	0.20 dB	
Isolation	≥70 dB @ 2400MHz-2700MHz	≥70 dB @ 698MHz-2200MHz
Return Loss	21 dB	
Impedance	50 Ohms	
DC Pass Current	4000mA (Typ) (Outdoor units only)	
Lightning Protection	8/20S 10kA Pulse (IEC 801-5) (Outdoor units only)	
Input Power	400 Watts (Avg); 2500 Watts (Peak)	
Intermodulation (PIM - 3 <sup>rd</sup> )	-161 dBc (2 Tones +43 dBm)	

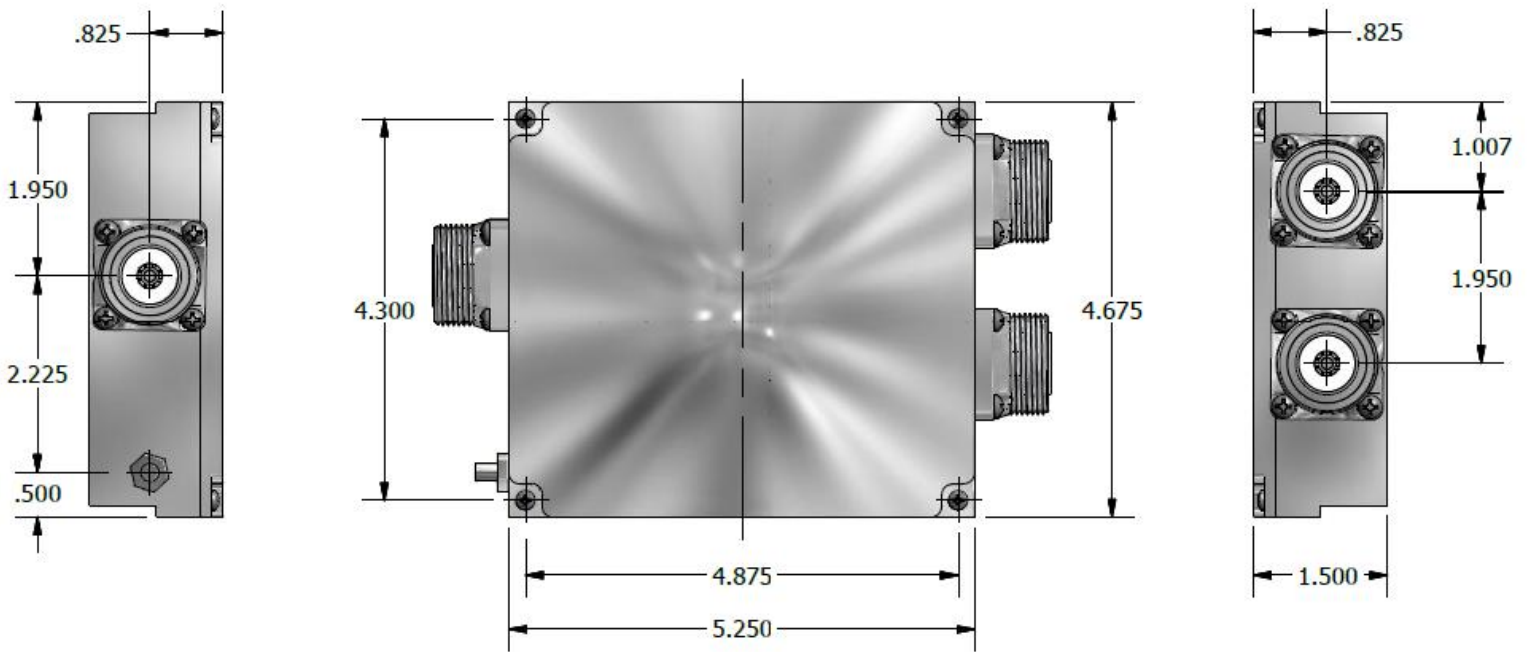
**MECHANICAL SPECIFICATIONS:**

Connectors: 7/16 DIN (D) / Mini-DIN (MD) / 4.3-10 (D43) / Type-N (N)  
 Housing Finish: Aluminum Body  
 Mounting Method: Mounting Panel  
 Temperature Range: -35°C to 75°C  
 Relative Humidity: 5% - 95% (Outdoor units only)  
 Environment: IP67 (Outdoor units only)

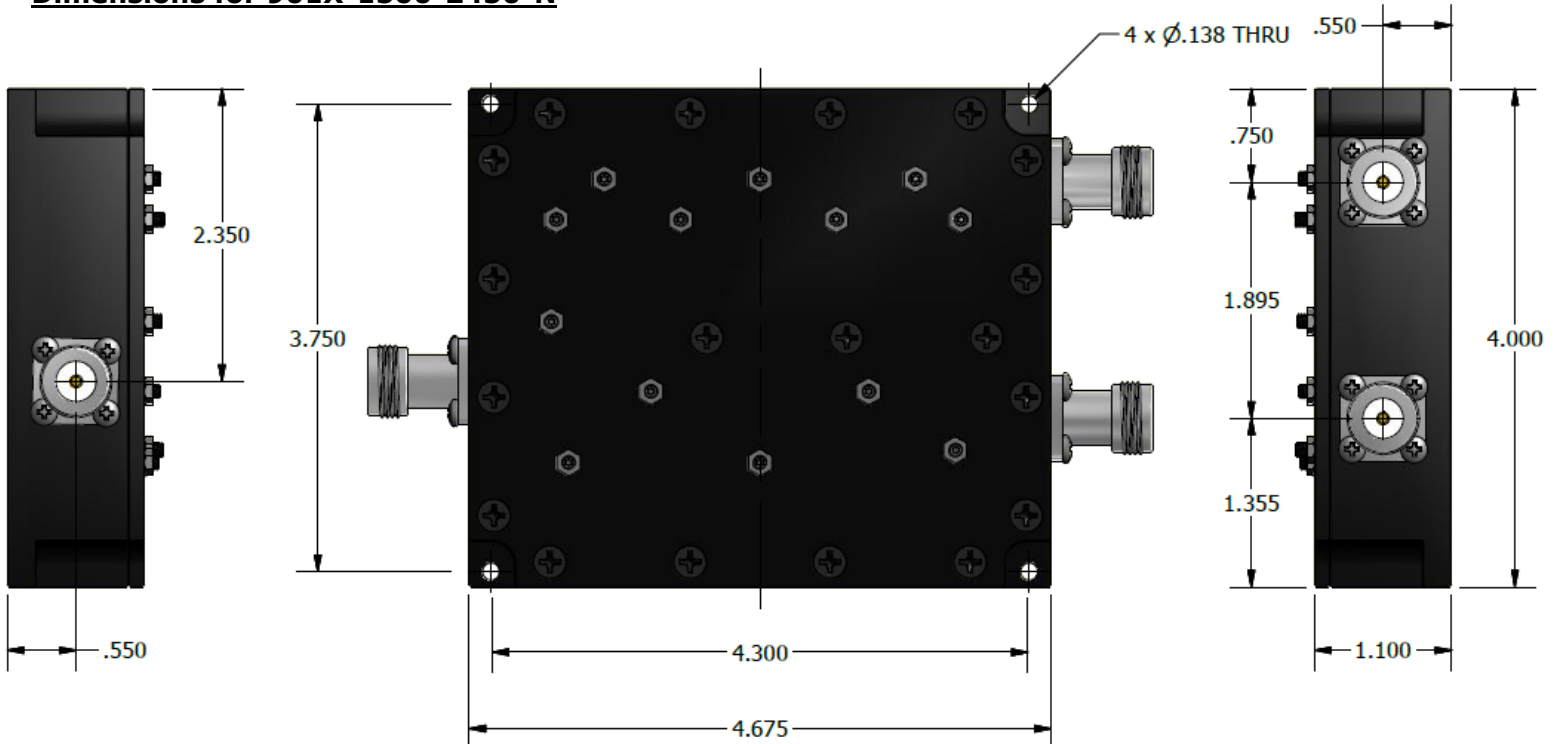
**\*\*\* ORDERING INFO:**

**Indoor Model:** Part#: 901X-1500-2450-\*  
**Outdoor Model:** Part#: 901-1500-2450-\*  
 \* - Connector Option

**Dimensions for 901-1500-2450-D**



**Dimensions for 901X-1500-2450-N**



Please contact our sales department at 737-200-7090 or [sales@InnowaveRF.com](mailto:sales@InnowaveRF.com) for any custom requirements.  
 © Innowave RF, LLC. All Rights Reserved. Specs can change without notice. Drawings are for reference purpose only.