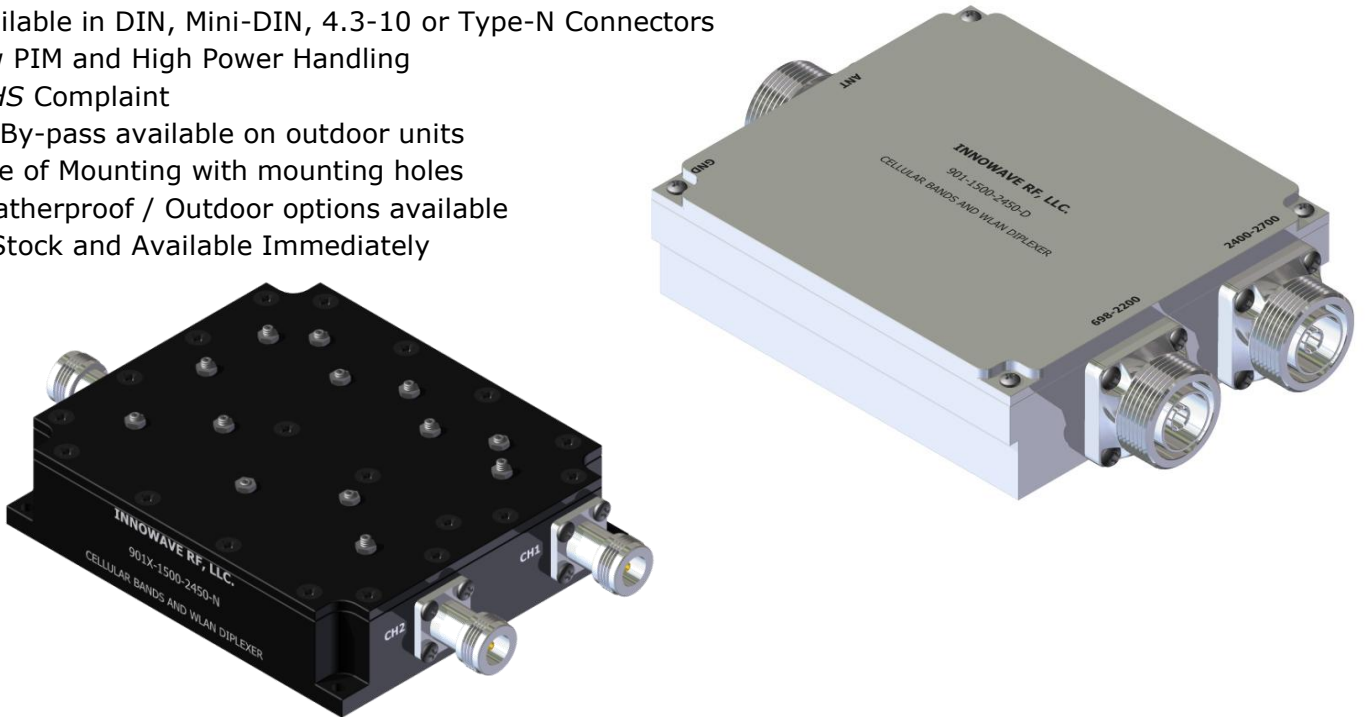


**FEATURES:**

- Splits or combines all the **Cellular Bands** (698MHz-2200MHz) and **WLAN/Wi-Fi/WiMAX/ISM Band** (2400MHz-2700MHz)
- Best in Class Isolation between the 2 signals
- Very low Insertion Loss with superior out of band rejections
- Available in DIN, Mini-DIN, 4.3-10 or Type-N Connectors
- Low PIM and High Power Handling
- RoHS Complaint
- DC By-pass available on outdoor units
- Ease of Mounting with mounting holes
- Weatherproof / Outdoor options available
- In Stock and Available Immediately



**ELECTRICAL SPECIFICATIONS:**

Frequency Bands	Cellular 698 MHz - 2200 MHz	WLAN/Wi-Fi/ISM 2400 MHz - 2700 MHz
Passband Insertion Loss	0.35 dB (Typ)	
Isolation	≥70 dB @ 2400MHz-2700MHz	≥70 dB @ 600MHz-2200MHz
Return Loss	20 dB (Typ)	
Impedance	50 Ohms	
DC Pass Current	4000mA (Typ) ( <i>Outdoor units only</i> )	
Lightning Protection	8/20S 10kA Pulse (IEC 801-5) ( <i>Outdoor units only</i> )	
Input Power	400 Watts (Avg); 2500 Watts (Peak)	
Intermodulation (PIM - 3 <sup>rd</sup> )	-157 dBc (Min) (2 Tones +43 dBm)	

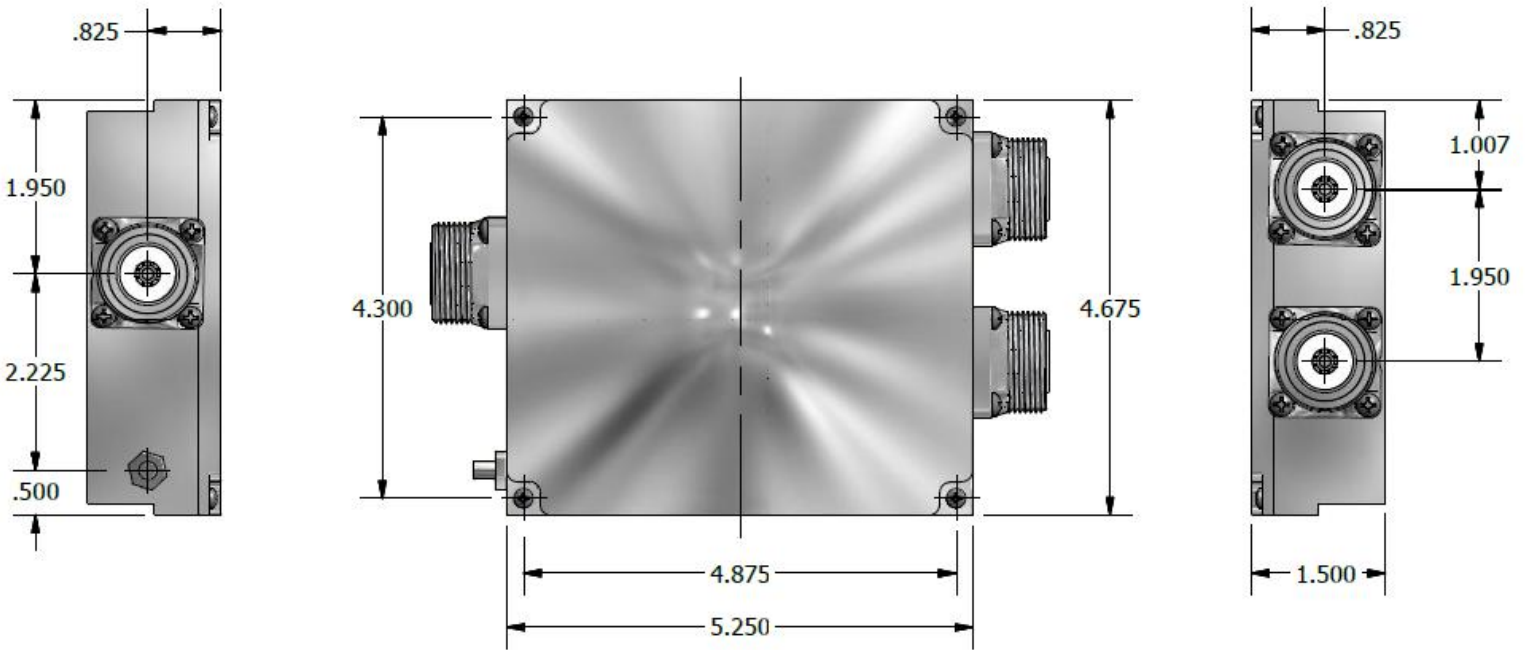
**MECHANICAL SPECIFICATIONS:**

Connectors:	7/16 DIN (D) / Mini-DIN (MD) / 4.3-10 (D43) / Type-N (N)
Housing Finish:	Aluminum Body
Mounting Method:	Mounting Panel
Temperature Range:	-35°C to 75°C
Relative Humidity:	5% - 95% ( <i>Outdoor units only</i> )
Environment:	IP67 ( <i>Outdoor units only</i> )

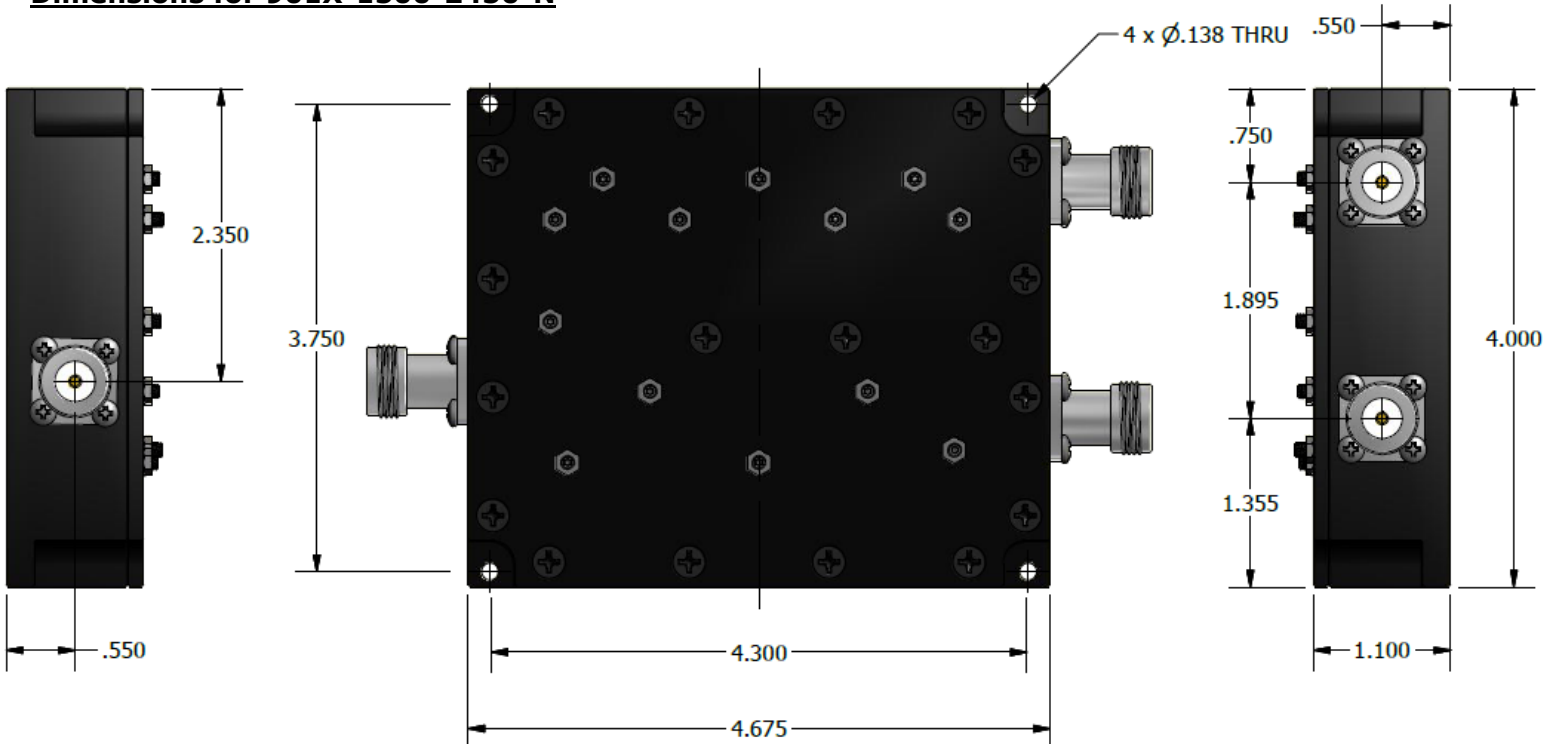
**\*\*\* ORDERING INFO:**

<b>Indoor Model:</b>	Part#: 901X-1500-2450-*
<b>Outdoor Model:</b>	Part#: 901-1500-2450-*
	* - Connector Option

**Dimensions for 901-1500-2450-D**



**Dimensions for 901X-1500-2450-N**



Please contact our sales department at 737-200-7090 or [sales@InnowaveRF.com](mailto:sales@InnowaveRF.com) for any custom requirements.  
 © Innowave RF, LLC. All Rights Reserved. Specs can change without notice. Drawings are for reference purpose only.