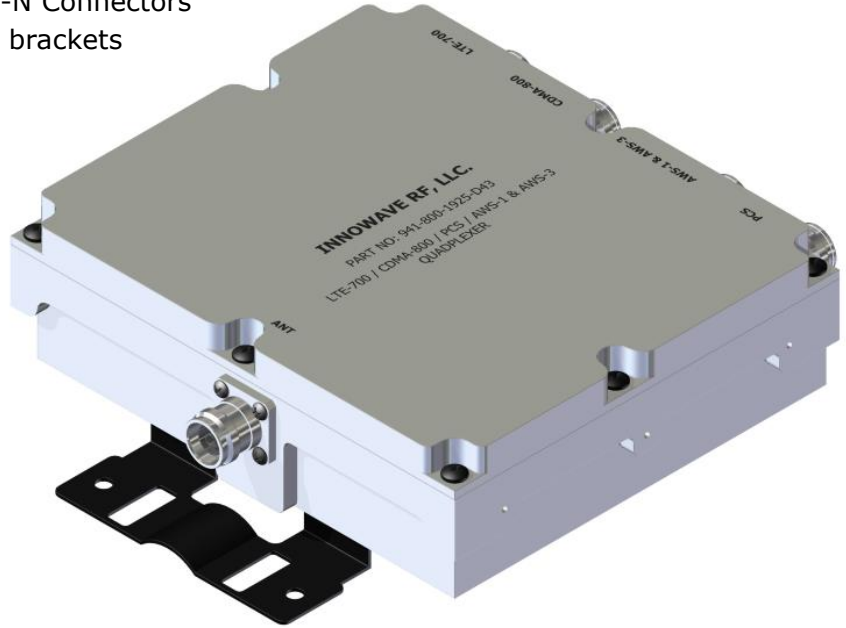
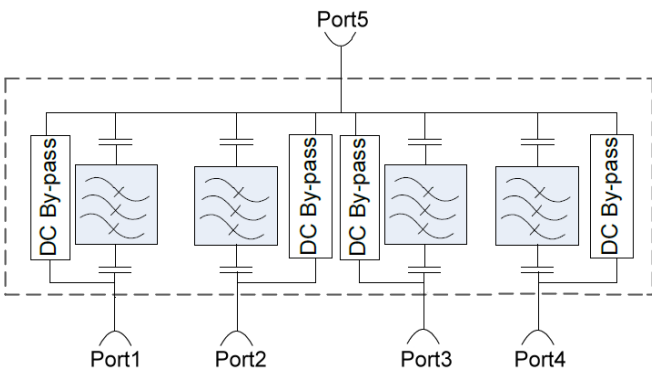


Innovation in Every Wave

FEATURES:

- Splits or combines the **700-LTE Band** (698MHz-787MHz), **CDMA-800 Band** (817MHz-896MHz), **PCS Band** (1850MHz-2000MHz), **AWS-1 & AWS-3 Bands** (1695MHz-1780MHz & 2110MHz-2180MHz)
- Excellent Isolation between the bands
- Very low Insertion Loss with superior out of band rejections
- Available in DIN, Mini-DIN, 4.3-10 or Type-N Connectors
- Ease of Mounting with mounting holes and brackets
- Low-PIM with High Power Handling
- RoHS Complaint
- Weatherproof for Outdoor installation
- In Stock and Available Immediately



ELECTRICAL SPECIFICATIONS:

Frequency Bands	700 MHz LTE 698MHz - 787MHz	CDMA-800 817MHz - 896MHz	AWS-1 / AWS-3 Band 1695MHz - 1780MHz 2110MHz - 2180MHz	1900 MHz PCS 1850MHz - 2000MHz
Passband Insertion Loss	0.25 dB			
Isolation	≥ 65 dB			
Return Loss	21dB			
Impedance	50 Ohms			
Input Power	250 Watts (Avg); 2500 Watts (Peak)			
DC Pass Current	4000 mA (Typ)			
Intermodulation (PIM-3 rd)*	-161dBc (2 Tones +43 dBm)			
Lightning Protection	8/20S 10KA Pulse (IEC801-5)			
MTBF Hours	≥ 500,000			

MECHANICAL & ENVIRONMENTAL SPECIFICATIONS:

Connectors: Type-N (N) / DIN (D) / Mini-DIN (MD) / 4.3-10 (D43)
 Housing Finish: Aluminum Body
 Mounting Method: Mounting Holes
 Temperature Range: -20°C to 60°C
 Humidity: 5% – 95%
 Environment: IP67

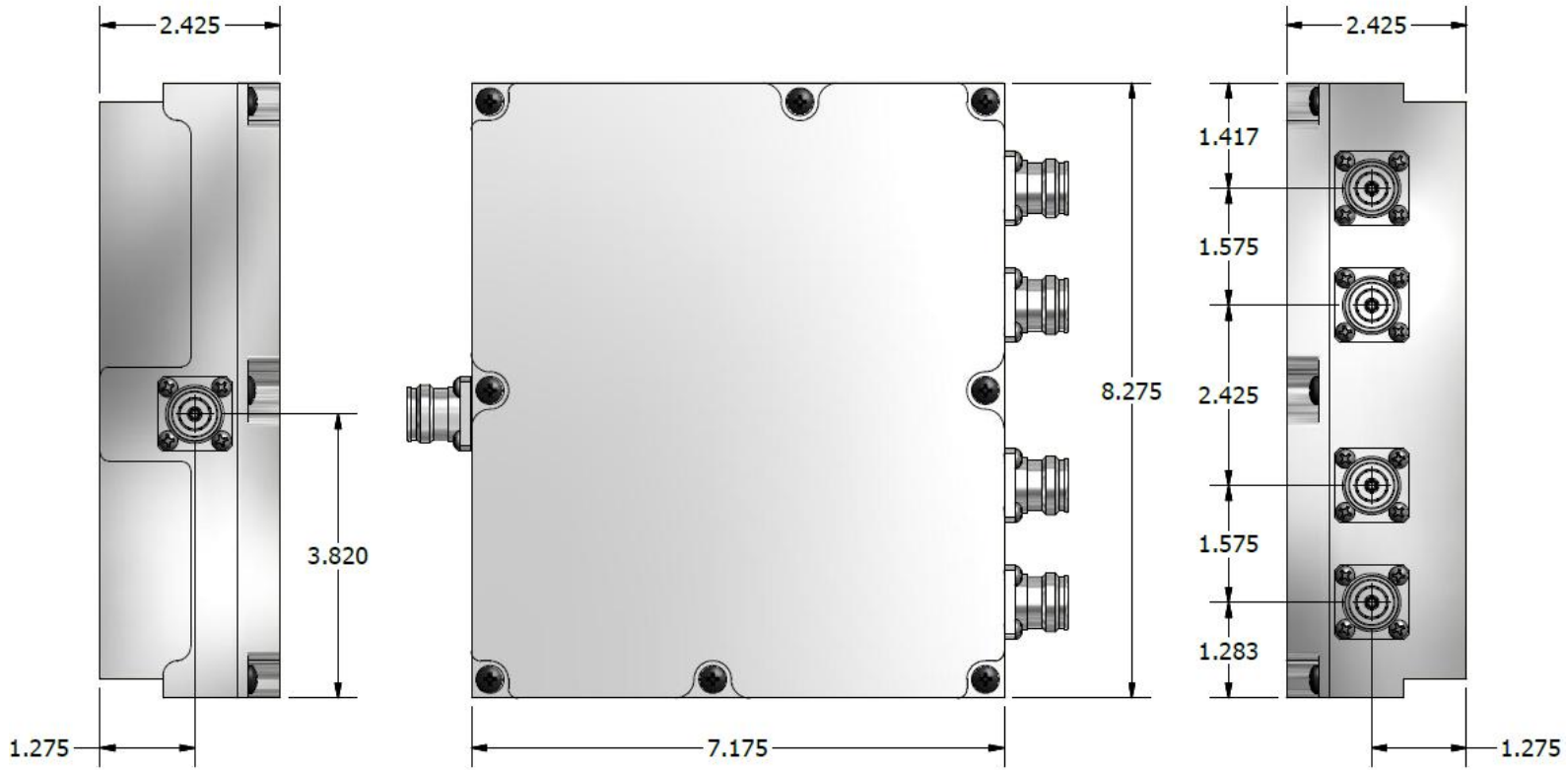
***** ORDERING INFO:**

Single Model: Part#: 941-800-1925-*

Dual Model: Part#: 942-800-1925-*

* - Connector

Dimensions for 941-800-1925-D43



Dimension for 942-800-1925-D43

