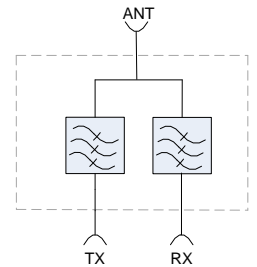
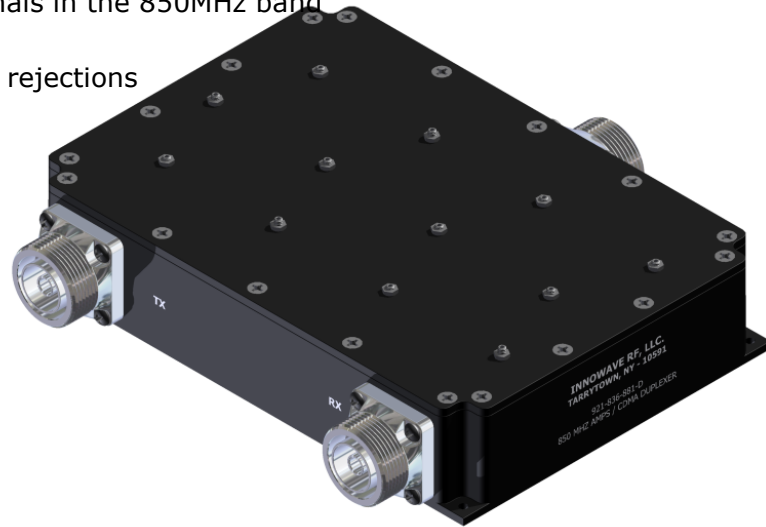
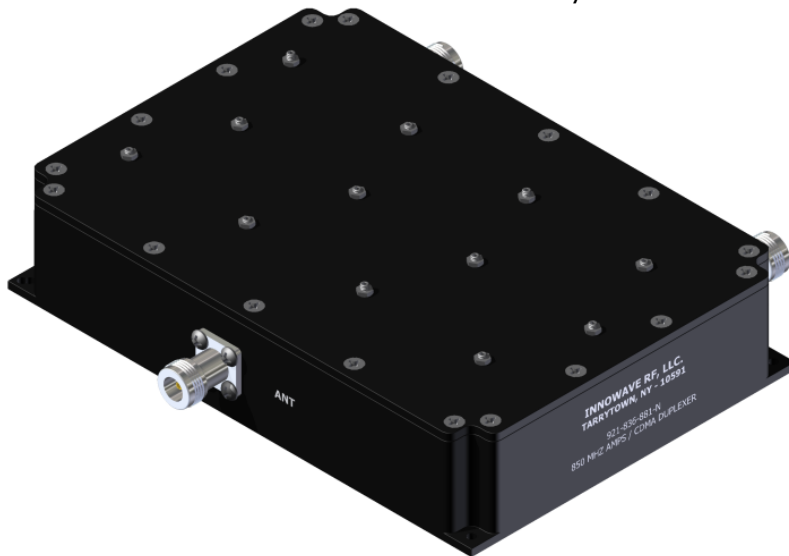


FEATURES:

- Splits or combines TX and RX in AMPS/CDMA signals in the 850MHz band
- Best-in-class Isolation between the 2 signals
- Very low Insertion Loss with superior out of band rejections
- Low-PIM with High Power Handling
- ROHS Compliant
- Ease of Mounting with mounting holes
- Available in 7/16 DIN and Type-N Connectors
- Weatherproof / Outdoor options available
- In Stock and Available Immediately



ELECTRICAL SPECIFICATIONS:

Frequency Bands	Transmit	Receive
	869MHz – 894MHz	824MHz - 849MHz
Insertion Loss	0.35 dB (Typ)	
Pass Band Ripple	0.15 dB (Typ)	
Isolation	≥80 dB @ 824MHz - 849MHz	≥80 dB @ 869MHz – 894MHz
Return Loss	22 dB (Typ)	
Impedance	50 Ohms	
Input Power	250 Watts (Avg)	
Intermodulation (PIM - 3 rd) ***	-150dBc (Typ) / -157dBc (Typ) (2 Tones +43 dBm)	

MECHANICAL SPECIFICATIONS:

Connectors: Type-N (Female) and 7/16 DIN (Female) Options Available

Housing Finish: Aluminum Body

Mounting Method: Mounting Holes

Temperature Range: -30°C to 80°C

Humidity: 5% – 95%

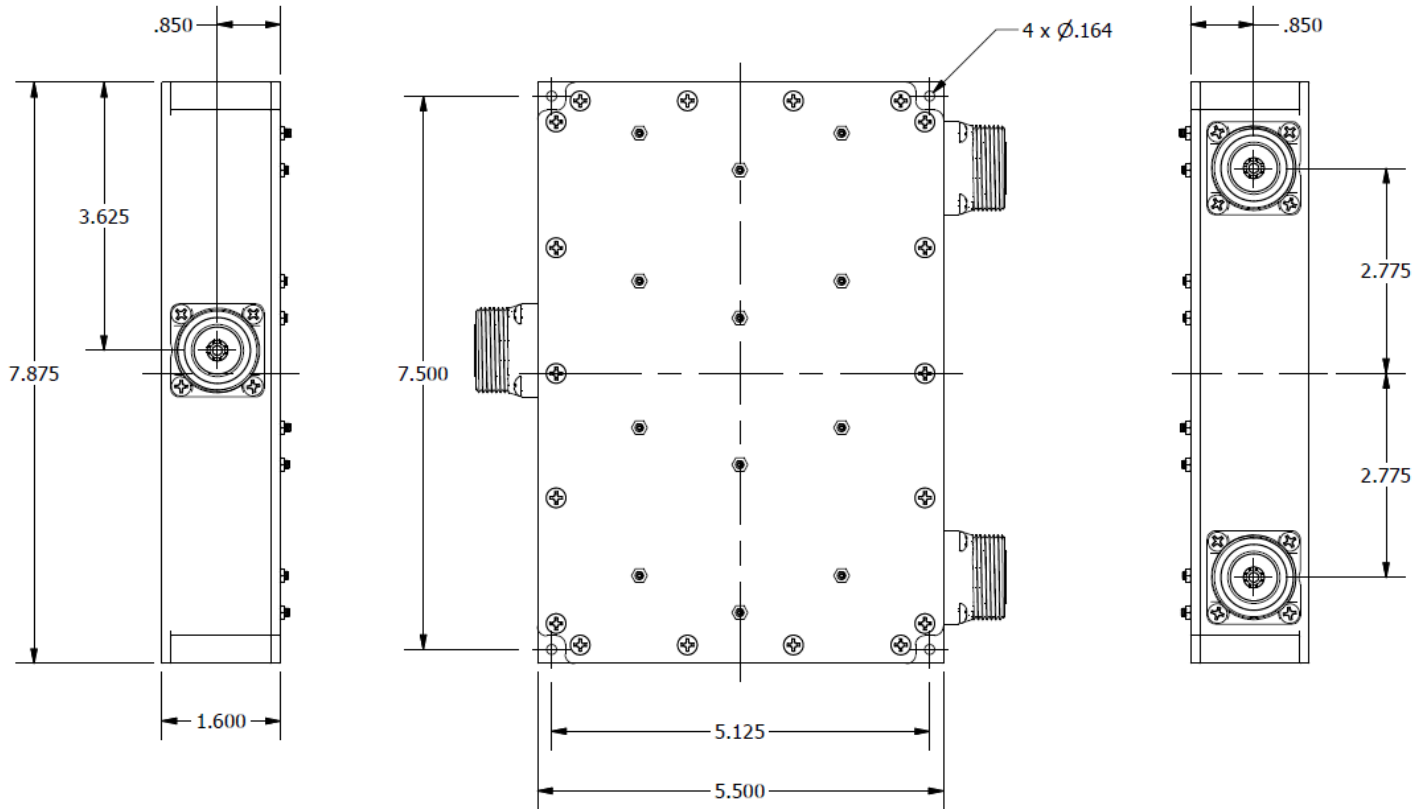
Environment: IP64

***** ORDERING INFO:**

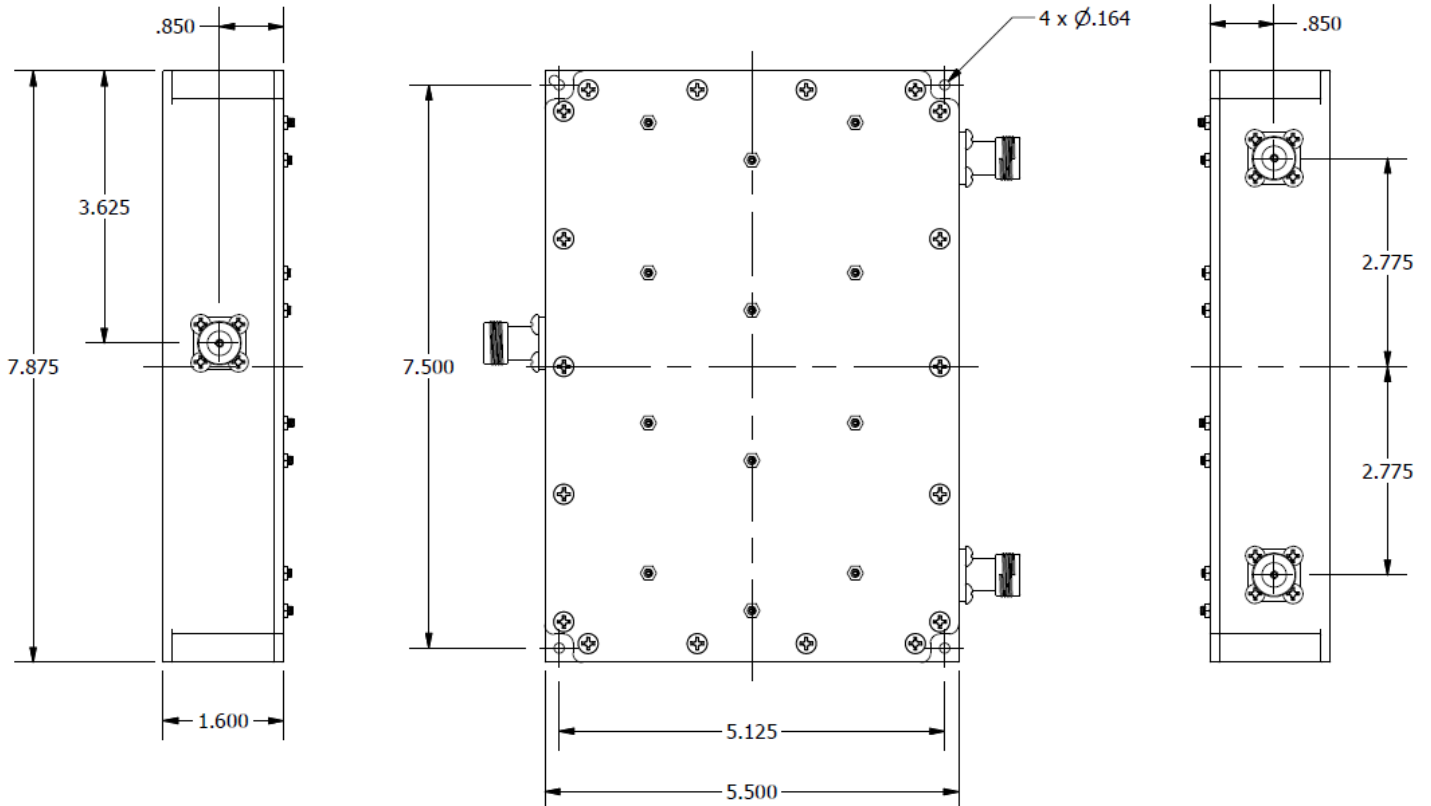
-150dBc Model: Part#: 921-836-881

Low-PIM Model: Part#: 921L-836-881
(-155dBc for Type-N & -157dBc for 7/16 DIN)

Dimensions for 921-836-881-D



Dimensions for 921-836-881-D



Please contact our sales department at 914-230-4060 or sales@InnowaveRF.com for any custom requirements.
 © Innowave RF, LLC. All Rights Reserved. Specs can change without notice. Drawings are for reference purpose only.