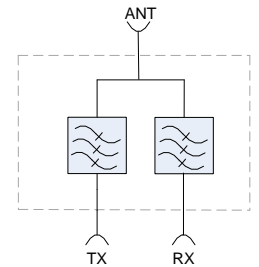
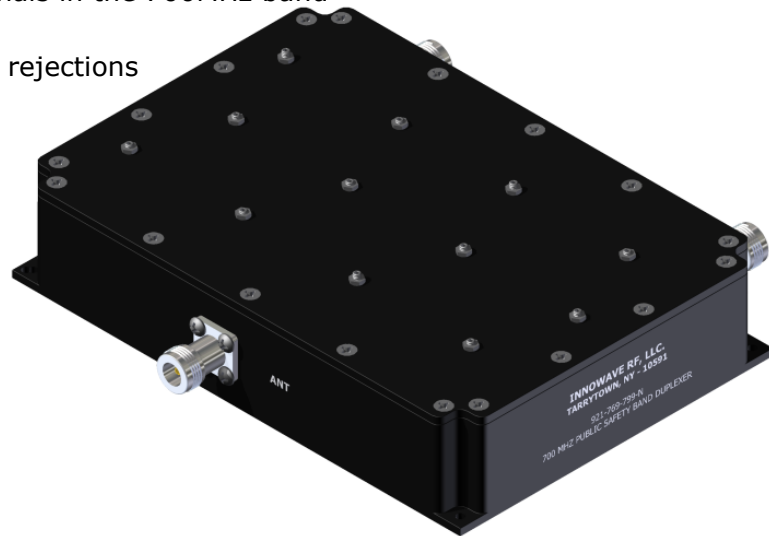
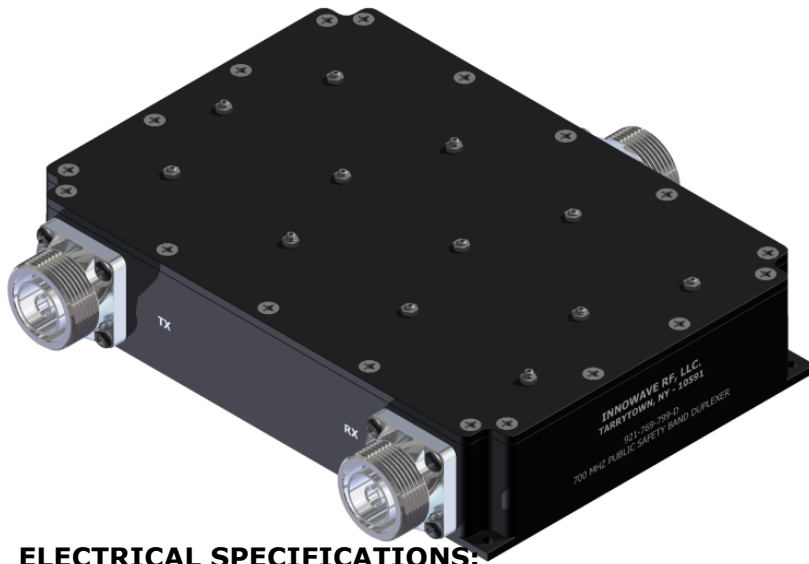


FEATURES:

- Splits or combines TX and RX in Public Safety signals in the 700MHz band
- Best-in-class Isolation between the 2 signals
- Very low Insertion Loss with superior out of band rejections
- Low-PIM with High Power Handling
- ROHS Complaint
- Ease of Mounting with mounting holes
- Available in 7/16 DIN and Type-N Connectors
- Weatherproof / Outdoor options available
- In Stock and Available Immediately



ELECTRICAL SPECIFICATIONS:

Frequency Bands	Transmit	Receive
	793MHz-805MHz	763MHz-775MHz
Insertion Loss	0.35 dB (Typ)	
Pass Band Ripple	0.15 dB (Typ)	
Isolation	≥80 dB @ 763MHz-775MHz	≥80 dB @ 793MHz-805MHz
Return Loss	22 dB (Typ)	
Impedance	50 Ohms	
Input Power	250 Watts (Avg)	
Intermodulation (PIM - 3 rd) ***	-150dBc (Typ) / -157dBc (Typ) (2 Tones +43 dBm)	

MECHANICAL SPECIFICATIONS:

Connectors: Type-N (Female) and 7/16 DIN (Female) Options Available

Housing Finish: Aluminum Body

Mounting Method: Mounting Holes

Temperature Range: -30°C to 80°C

Humidity: 5% – 95%

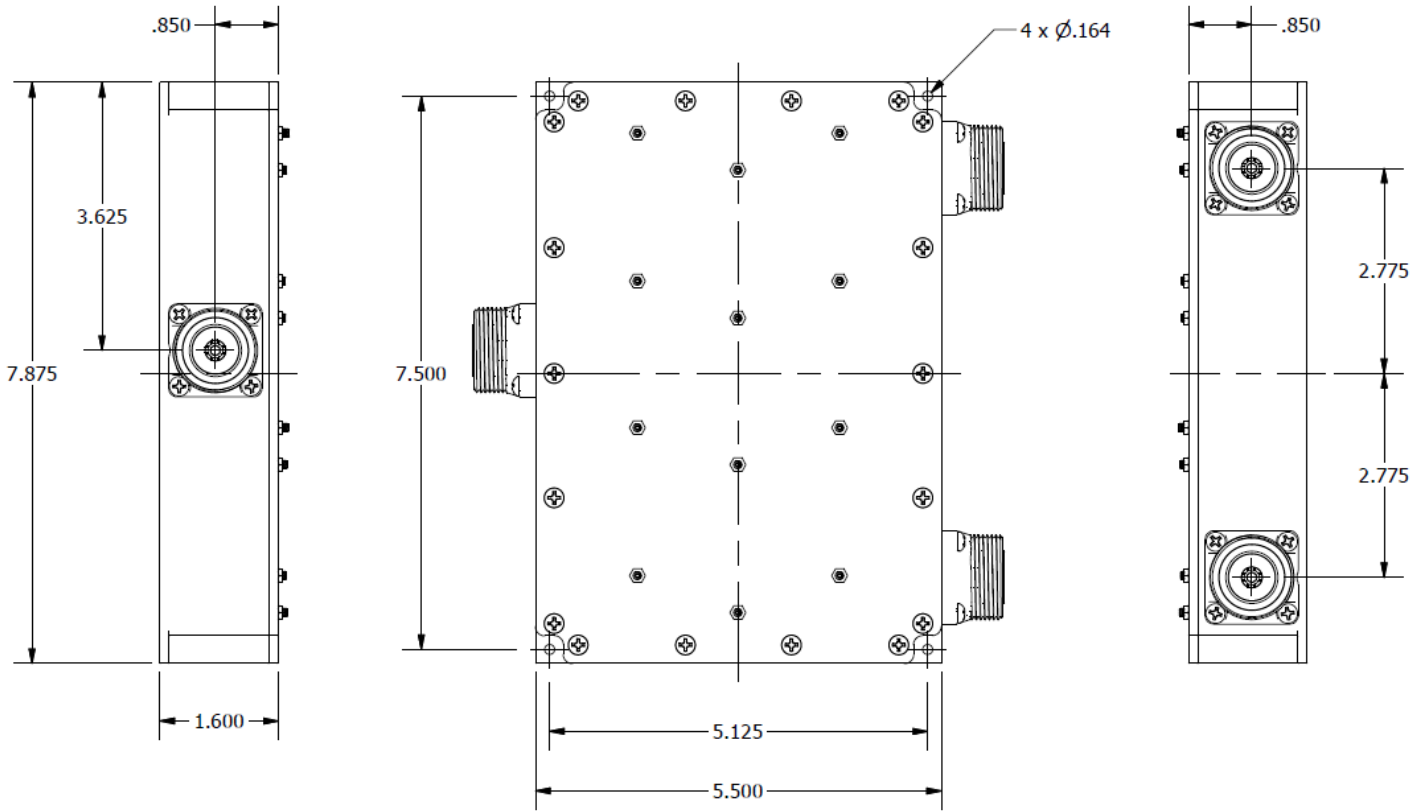
Environment: IP64

***** ORDERING INFO:**

-150dBc Model: Part#: 921-769-799

Low-PIM Model: Part#: 921L-769-799
 (-155dBc for Type-N & -157dBc for 7/16 DIN)

Dimensions for 921-769-799-D



Dimensions for 921-769-799-N

