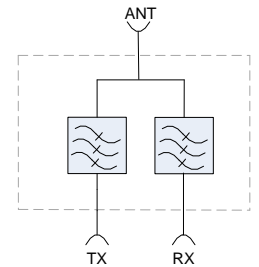
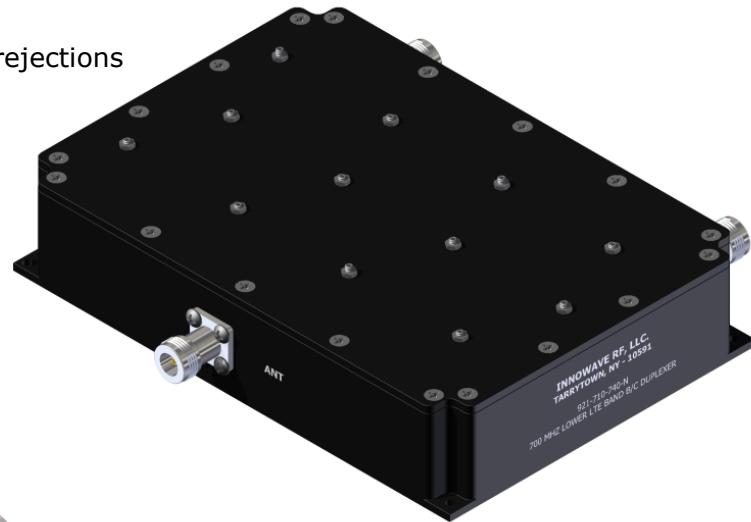
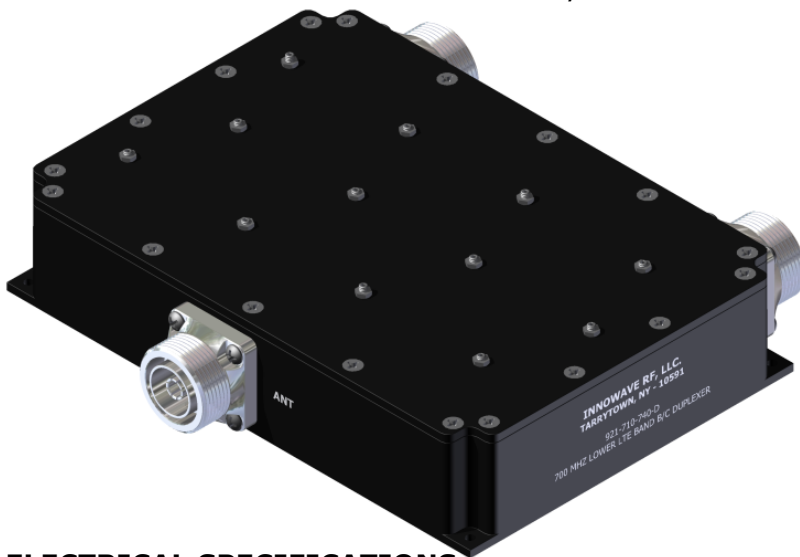


**FEATURES:**

- Splits or combines TX and RX in Lower Band B/C signals in the 700MHz band
- Best-in-class Isolation between the 2 signals
- Very low Insertion Loss with superior out of band rejections
- Low-PIM with High Power Handling
- *ROHS* Complaint
- Ease of Mounting with mounting holes
- Available in 7/16 DIN and Type-N Connectors
- Weatherproof / Outdoor options available
- In Stock and Available Immediately


**ELECTRICAL SPECIFICATIONS:**

Frequency Bands	Transmit	Receive
	734MHz-746MHz	704MHz-716MHz
Insertion Loss	0.35 dB (Typ)	
Pass Band Ripple	0.15 dB (Typ)	
Isolation	≥80 dB @ 704MHz-716MHz	≥80 dB @ 734MHz-746MHz
Return Loss	22 dB (Typ)	
Impedance	50 Ohms	
Input Power	250 Watts (Avg)	
Intermodulation (PIM - 3 <sup>rd</sup> ) ***	-150dBc (Typ) / -157dBc (Typ) (2 Tones +43 dBm)	

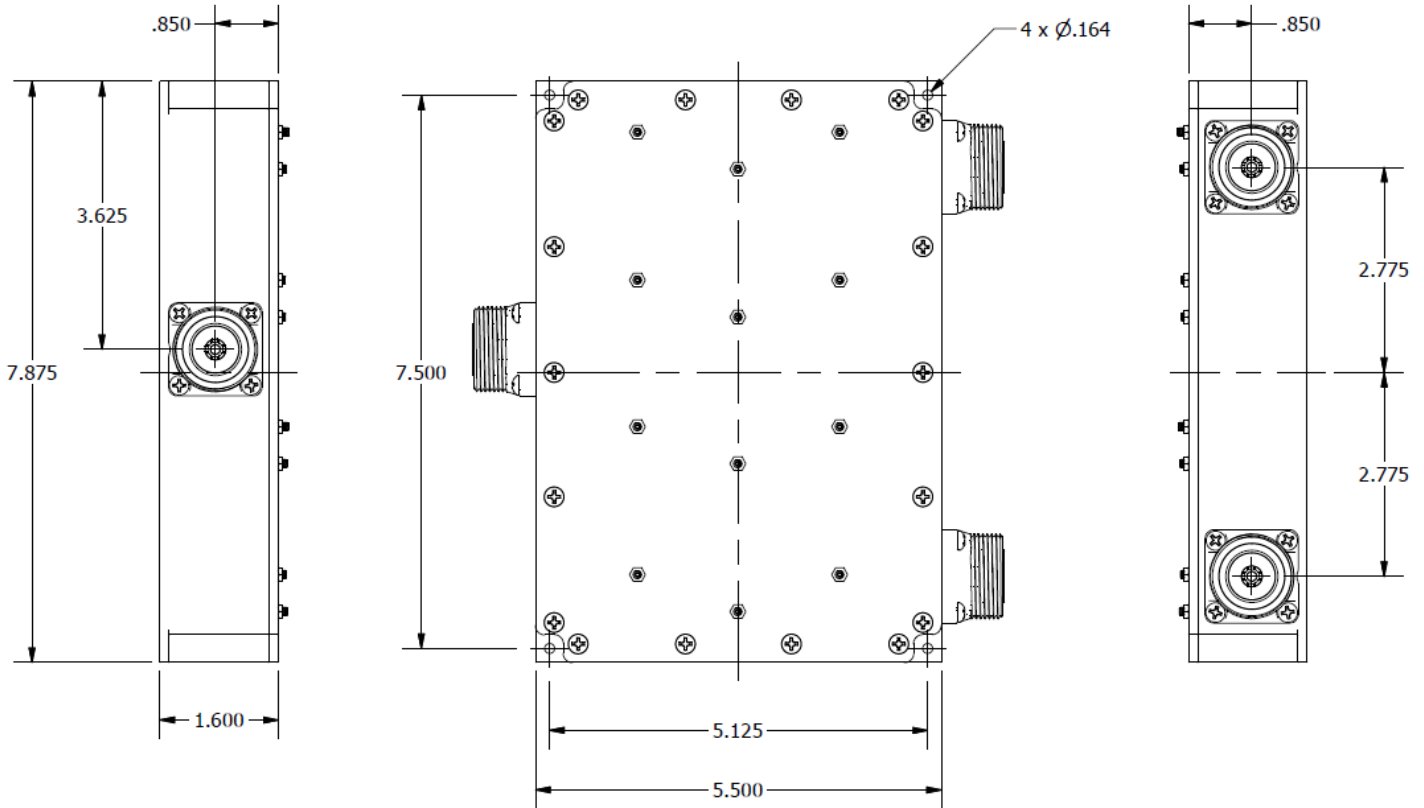
**MECHANICAL SPECIFICATIONS:**

Connectors:	Type-N (Female) and 7/16 DIN (Female) Options Available
Housing Finish:	Aluminum Body
Mounting Method:	Mounting Holes
Temperature Range:	-30°C to 80°C
Humidity:	5% – 95%
Environment:	IP64

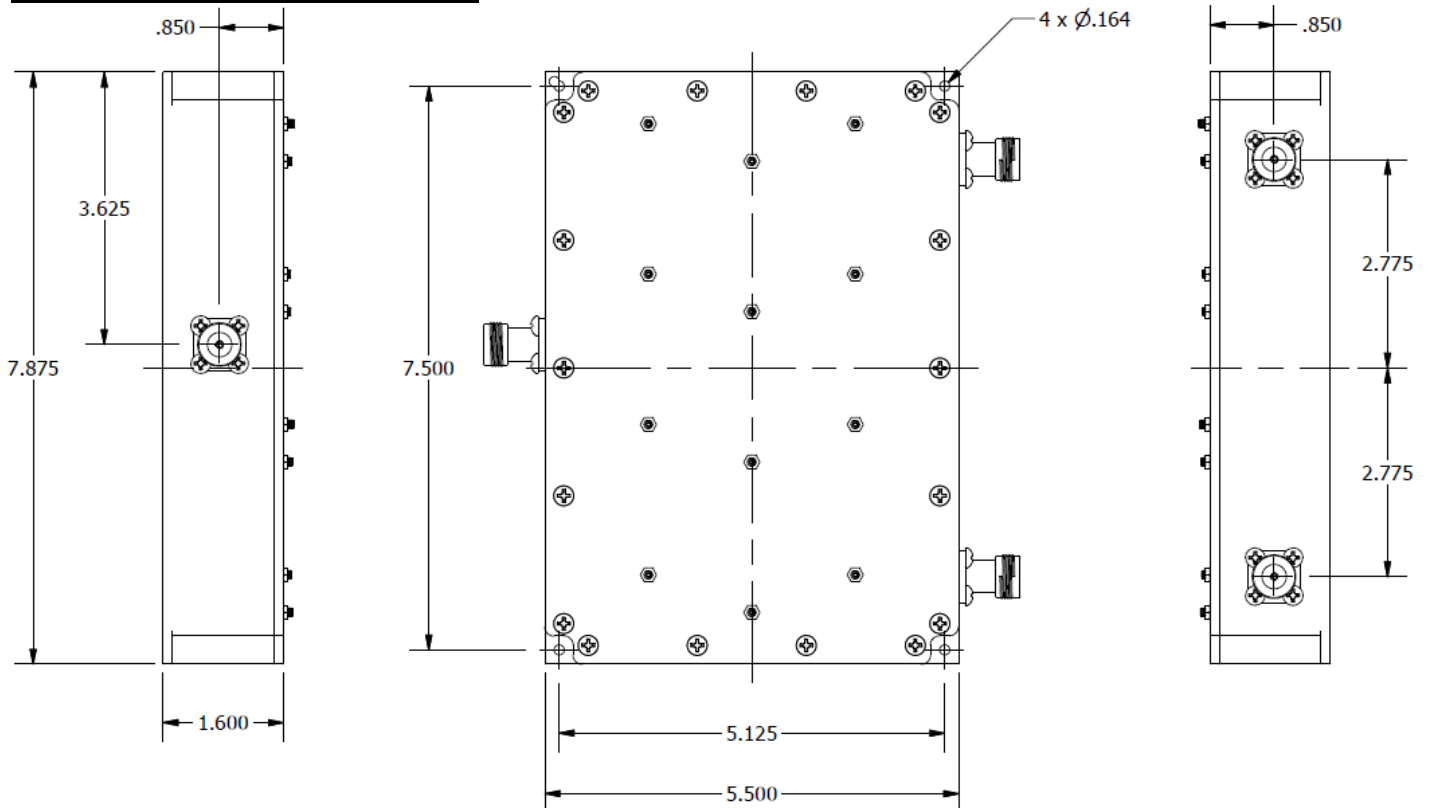
**\*\*\* ORDERING INFO:**
**-150dBc Model:** Part#: 921-710-740

**Low-PIM Model:** Part#: 921L-710-740  
 (-155dBc for Type-N & -157dBc for 7/16 DIN)

**Dimensions for 921-710-740-D**



**Dimensions for 921-710-740-N**



Please contact our sales department at 914-230-4060 or [sales@InnowaveRF.com](mailto:sales@InnowaveRF.com) for any custom requirements.  
 © Innowave RF, LLC. All Rights Reserved. Specs can change without notice. Drawings are for reference purpose only.